

Flotech Overfill Detection Products

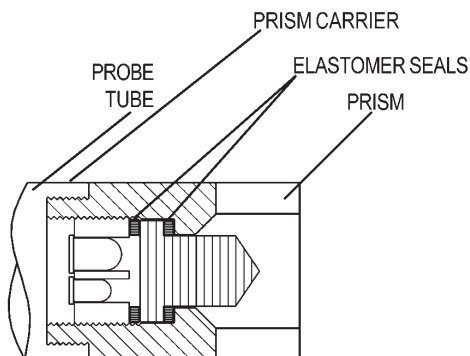


Overfill detection for road tankers is a secondary emergency shut-off system used to prevent overfilling of tanker compartments during the terminal loading process. When an overfill situation is detected, the system will override and shut down the terminal pump/metering equipment filling the tanker compartment(s).

The system consists of overfill sensing devices, which are electronically connected to controls at the terminal through a plug and socket connection. Often on board tanker monitors are employed to inform on the loading process and provide diagnostic data should a problem occur. Monitors also translate electronic signal formats for different operating systems which may exist between the trailer and terminal. The two signal formats used are known as optic and thermistor and are defined by API as Standard #1004. FloTech products meet NFPA and API1004 specifications for bottom loading and are approved by FM and CSA.

Dixon manufactures a full line of sensors, monitors, and sockets compatible with Scully and Civacon systems as well as complete overfill kits.

Principals of Operation



Knowledge and Experienced Design

Dixon employees have vast experience in electronics, manufacturing and most important, with the in-the-field trouble shooting of overfill terminal and tanker installation. That is why we have focused on easy, drop-in replacement features with improved probe life, and why Dixon have included heavy duty hardware made from premium, corrosion resistant materials.

Trouble Free Probes and Sensors:

FloTech brand probes/sensors do not use epoxy bonded prisms as a means to seal the prism. Therefore, they are not subject to malfunction due to epoxy/prism interface separation. FloTech brand probes/sensors incorporate a double elastomer design which seals and secures the sensitive optic prism tip. The elastomer seals are flexible allowing thermal expansion and resistance to steam cleaning and petroleum chemical attack.

"Best in Class" Technical Support

Dixon provide the most reliable overfill components and systems available on the market today. Over the years the FloTech brand has earned a reputation for reliable overfill components compatible with other common systems. FloTech brand items are shipped with easy to follow installation instructions and manuals.

Easy Installation

FloTech brand components are manufactured to be installed easily, even on other systems. They have been designed to be drop-in compatible with API systems being used around the world.

Products In Stock, Delivered On Time

Dixon realise that downtime costs you money so we do everything we can to ensure you receive your parts when you need them.

A Great Product With An Unparalleled Warranty

FloTech brand products are covered by a three year limited warranty. The warranty is part of the total system that makes FloTech overfill detection the best choice for your operation.

Checkmate Retain Overfill System 2-Wire Black and White

Dixon is proud to introduce Checkmate with advanced automatic self-checking technology and performance enhancing features not found in any other system! The FloTech Checkmate has a long list of features that greatly improve reliability and provide years of trouble free service. Checkmate is compatible with the Scully brand black and white two-wire, overfill and retain system. The components are drop-in replacements and compatible with the signal format required by Scully brand on-board monitors.



FT208 Checkmate Retain / Overfill Monitors

- Easy to follow programming guide for a maximum of eight compartments "top only" or "top and bottom" service with the same monitor
- Monitor can be programmed up to 100,000 times without sending it back to the factory
- Monitor resists oxidation of wire connections
- Stainless steel terminal blocks resist rusting of contacts
- Stainless steel hardware used on all products
- Powder coated colour matched components for exceptional appearance
- Auxiliary input for Hobbs type switches
- Power control relay output
- Drop-in compatibility, see compatibility chart on at the end of this section
- Factory Mutual and Canadian Standards Association approved, ATEX approval pending
- Wide input power 12-24 VDC

TANKER & STORAGE TANK PRODUCTS

FloTech brand overfill system kits provide everything needed to install a new overfill system on your tank. One through eight compartment kits are available off the shelf. FloTech brand kits provide everything needed to make a professional installation. Systems include; 1 FT208 monitor, 1 FT151 sensor per compartment, 1 FT404 cable and 1 FT402 (20pcs.) strain reliefs. Sockets sold separately.

Special length probes are available. Please refer to comparison chart for cross references to other manufacturer model numbers.



CHECKMATE OVERFILL SYSTEMS (TOP ONLY)	
PART NO.	DESCRIPTION
FT2801	Checkmate, 1 compartment system (top only)
FT2802	Checkmate, 2 compartment system (top only)
FT2803	Checkmate, 3 compartment system (top only)
FT2804	Checkmate, 4 compartment system (top only)
FT2805	Checkmate, 5 compartment system (top only)
FT2806	Checkmate, 6 compartment system (top only)
FT2807	Checkmate, 7 compartment system (top only)
FT2808	Checkmate, 8 compartment system (top only)
FT2801-12	Checkmate, 1 compartment system (top only) - 12" probes
FT2802-12	Checkmate, 2 compartment system (top only) - 12" probes
FT2803-12	Checkmate, 3 compartment system (top only) - 12" probes
FT2804-12	Checkmate, 4 compartment system (top only) - 12" probes
FT2805-12	Checkmate, 5 compartment system (top only) - 12" probes
FT2806-12	Checkmate, 6 compartment system (top only) - 12" probes
FT2807-12	Checkmate, 7 compartment system (top only) - 12" probes
FT2806-12	Checkmate, 8 compartment system (top only) - 12" probes

Systems include: 1 FT208 monitor, 1 FT151 overfill and FT152 retain sensor per compartment, 1 FT404-150 cable and 1 FT403 (30 pcs.) strain reliefs. Sockets sold separately.

Special length probes are available. Please refer to comparison chart for cross references to other manufacturer model numbers.



CHECKMATE RETAIN / OVERFILL SYSTEMS (RETAIN AND OVERFILL)	
PART NO.	DESCRIPTION
FT2811	Checkmate, 1 compartment system (retain and overfill)
FT2812	Checkmate, 2 compartment system (retain and overfill)
FT2813	Checkmate, 3 compartment system (retain and overfill)
FT2814	Checkmate, 4 compartment system (retain and overfill)
FT2815	Checkmate, 5 compartment system (retain and overfill)
FT2816	Checkmate, 6 compartment system (retain and overfill)
FT2817	Checkmate, 7 compartment system (retain and overfill)
FT2818	Checkmate, 8 compartment system (retain and overfill)
FT2811-12	Checkmate, 1 compartment system (retain and overfill) - 12" probes
FT2812-12	Checkmate, 2 compartment system (retain and overfill) - 12" probes
FT2813-12	Checkmate, 3 compartment system (retain and overfill) - 12" probes
FT2814-12	Checkmate, 4 compartment system (retain and overfill) - 12" probes
FT2815-12	Checkmate, 5 compartment system (retain and overfill) - 12" probes
FT2816-12	Checkmate, 6 compartment system (retain and overfill) - 12" probes
FT2817-12	Checkmate, 7 compartment system (retain and overfill) - 12" probes
FT2818-12	Checkmate, 8 compartment system (retain and overfill) - 12" probes

L

Checkmate Retain Overfill System 2-Wire Black and White



FT150 Probe

The FT150 thermo-optic 2 wire probe is electronically and mechanically compatible for drop-in replacement of commonly used 2-wire probes with black and white wires. The FT150 provides the fast response and reliability of optic technology in a thermistor application. All FloTech brand probes come with a unique dual elastomer seal for prisms and a smooth tapered tip design for easy installation without gasket damage. Custom lengths available upon request. Compatible with the Scully Intellicheck system (probe housing is part # FT90001).

FT150 REPLACEMENT BLACK AND WHITE 2-WIRE PROBES

PART NO.	DESCRIPTION
FT150	Replacement probe, thermo-optic, 2 wire (black and white), 7"
FT150-12	Replacement probe, thermo-optic, 2 wire (black and white), 12"
FT150-18	Replacement probe, thermo-optic, 2 wire (black and white), 18"
FT155	Dummy



FT151 Sensor

The FT151 thermo-optic sensor contains the FT150 probe and a 2" NPT housing. Our probe holder is cast aluminium with a 2" NPT mounting thread, heavy duty stainless steel hardware, and Viton® probe seal. Install in a 2" NPT female thread or 2³/₈" hole using the gasket and locking nut provided. All screws and rings are heavy duty stainless steel for easy assembly and long life. Compatible with Scully Intellicheck monitors (probe housing is part # FT9000)

FT151 THERMO-OPTIC SENSORS

PART NO.	DESCRIPTION
FT151	Sensor, thermo-optic, 2 wire (black and white), 2" NPT housing with 7" probe
FT151-12	Sensor, thermo-optic, 2 wire (black and white), 2" NPT housing with 12" probe
FT151-18	Sensor, thermo-optic, 2 wire (black and white), 2" NPT housing with 18" probe



FT152 Retain Sensor

The FT152 retain sensor is a bottom retain detection sensor. The sensor has a 1/2" NPT mounting. Sensor is shipped with a 1/2" NPT weld-on aluminium half coupling for mounting. The main sensor portion is stainless steel to prevent galling in the trailer. The wiring box is plastic to prevent corrosion and is removable to facilitate installation. The side ports come out of the same side (like the overfill sensors) to make wiring easier. The FT152 is mechanically and electrically compatible with Scully model 08819 and the Scully Intellicheck System.

FT152 RETAIN SENSOR

PART NO.	DESCRIPTION
FT152	Scully retain sensor, 2 wire (black and white)



FT208 Monitor

The FT208 Checkmate is compatible with the Scully brand black and white two-wire thermo-optic (thermistor) overfill and retain system. Components are drop-in replacement and compatible with the signal format required by the Scully Intellicheck brand on-board monitors. Easy to follow programming guide for a maximum of eight compartments, programmable for number of compartments, top only, top and bottom service with the same monitor.

FT208 CHECKMATE RETAIN / OVERFILL MONITOR

PART NO.	DESCRIPTION
FT208	Checkmate monitor, programmable for top only, or top and bottom sensors, with housing
FT207	Checkmate replacement monitor module

R/OM Type Retain/Overfill System Red & Black 2 Wire

These systems incorporate the preferred optic technology (red and black 2 wire) using top overfill as well as bottom retain sensors. Retain sensors inform the terminal if the compartments are empty or if product has been retained. Monitors include advanced diagnostic capabilities as well as translation abilities for all socket types (optic, thermistor or float). The system offers true load at any rack compatibility.

FloTech brand overfill system kits provide everything needed to install a new API compatible overfill system on your tank. One through six compartment kits are available off the shelf. Systems include: 1 FT204P monitor, 1 FT202 sensor per compartment, 1 FT401 100' cable and 1 FT402 (20 pcs.) strain reliefs. Sockets sold separately. Special length probes are available. Please refer to comparison chart for cross references to other manufacturer model numbers.



FT2104 Retain / Overfill Kit
(top only)

RETAIN / OVERFILL SYSTEM (TOP ONLY)	
PART NO.	DESCRIPTION
FT2101	R/OM type, 1 compartment system (top only)
FT2102	R/OM type, 2 compartment system (top only)
FT2103	R/OM type, 3 compartment system (top only)
FT2104	R/OM type, 4 compartment system (top only)
FT2105	R/OM type, 5 compartment system (top only)
FT2106	R/OM type, 6 compartment system (top only)
FT2101-12	R/OM type, 1 compartment system (top only) - 12" probes
FT2102-12	R/OM type, 2 compartment system (top only) - 12" probes
FT2103-12	R/OM type, 3 compartment system (top only) - 12" probes
FT2104-12	R/OM type, 4 compartment system (top only) - 12" probes
FT2105-12	R/OM type, 5 compartment system (top only) - 12" probes
FT2106-12	R/OM type, 6 compartment system (top only) - 12" probes

FloTech brand overfill system kits provide everything needed to install a new API compatible retain/ overfill monitor top and bottom system. One through six compartment kits are available off the shelf. Systems include: 1 FT204P monitor, 1 FT202 sensor for each compartment, 1 FT206 retain sensor per compartment, 1FT401 100' cable and 1 FT402 (20 pcs.) strain reliefs. Sockets sold separately. Special length probes are available. Please refer to comparison chart for cross references to other manufacturer model numbers.



FT2004 Retain / Overfill Kit
(retain and overfill)

RETAIN / OVERFILL SYSTEMS (RETAIN AND OVERFILL)	
PART NO.	DESCRIPTION
FT2001	R/OM type, 1 compartment system (retain and overfill)
FT2002	R/OM type, 2 compartment system (retain and overfill)
FT2003	R/OM type, 3 compartment system (retain and overfill)
FT2004	R/OM type, 4 compartment system (retain and overfill)
FT2005	R/OM type, 5 compartment system (retain and overfill)
FT2006	R/OM type, 6 compartment system (retain and overfill)
FT2001-12	R/OM type, 1 compartment system (retain and overfill) - 12" probes
FT2002-12	R/OM type, 2 compartment system (retain and overfill) - 12" probes
FT2003-12	R/OM type, 3 compartment system (retain and overfill) - 12" probes
FT2004-12	R/OM type, 4 compartment system (retain and overfill) - 12" probes
FT2005-12	R/OM type, 5 compartment system (retain and overfill) - 12" probes
FT2006-12	R/OM type, 6 compartment system (retain and overfill) - 12" probes

L



FT201 Replacement Probes

The FT201 is a replacement probe for the FloTech brand FT202 sensor and is compatible with Civacon's 3150 two wire optic probe. The FloTech brand FT200 series probe uses our unique dual elastomer seal prism design to prevent fouling. Other sensor designs use epoxy which crack allowing fuel to leak into the optic path ultimately causing signal malfunction. Custom lengths available upon request (probe housing is part # FT9000).

FT201 REPLACEMENT PROBES	
PART NO.	DESCRIPTION
FT201	Replacement R/OM type, 2 wire (red and black) top probe, 7"
FT201-12	Replacement R/OM type, 2 wire (red and black) top probe, 12"
FT201-18	Replacement R/OM type, 2 wire (red and black) top probe, 18"



FT202 Sensor

The FT202 sensor is a top overfill sensor and part of the FloTech brand retain/overflow monitoring system. The probe holder is cast aluminium with a 2" NPT mounting thread, heavy duty stainless steel hardware, and Viton® seals. The FT202 is mechanically and electrically compatible with the Civacon model 1050 two wire top sensor. The sensor is installed by threading it into a 2" NPT female thread or mounting it in a 2³/₈" hole secured by a gasket and metal locking nut. (probe housing is part # FT9000).

FT202 THERMO-OPTIC SENSORS	
PART NO.	DESCRIPTION
FT202	Sensor R/OM type (red and black), top with 2" NPT housing, with 7" probe
FT202-12	Sensor R/OM type (red and black), top with 2" NPT housing, with 12" probe
FT202-18	Sensor R/OM type (red and black), top with 2" NPT housing, with 18" probe



FT206 Retain Sensor

The FT206 retain sensor is a bottom retain detection sensor and part of the FloTech brand retain/ overflow monitoring system. The sensor has a 1/2" NPT mounting. Sensor comes with a 1/2" NPT weld-on aluminium half coupling for mounting. The main sensor portion is stainless steel to prevent galling in the trailer. The wiring box is plastic to prevent corrosion and is removable to facilitate installation. The side ports come out of the same side (like the overfill sensors) to make wiring easier. The FT206 is mechanically and electrically compatible with the Civacon model 1000 two wire retain sensor.

FT206 RETAIN SENSOR	
PART NO.	DESCRIPTION
FT206	Retain sensor R/OM type (red and black), 1/2" NPT sensor



FT204P retain / overfill monitor

The FT204P retain/overflow monitor is designed to diagnose and monitor up to six compartments. The FT204P monitor will provide API compatible optic, thermistor, and float socket outputs for a true load at any rack compatibility. FloTech's FT203P is a replacement chassis and is compatible with Civacon 3250 and 3252 onboard monitors.

FT204P RETAIN / OVERFILL MONITOR	
PART NO.	DESCRIPTION
FT204P	R/OM type onboard monitor, with housing
FT203P	Replacement chassis, R/OM type on-board

API Optic System 5-Wire

FloTech series FT100 and FT101 sensors are compatible with Scully brand 5 wire optic sensors. FloTech API compatible overfill systems feature long service life and resistance to harsh environments typical on petroleum cargo tanks. Long service life and compatibility make FloTech the ideal choice for demanding cargo applications.

FloTech brand overfill system kits provide everything needed to install a new API compatible overfill system on your tank. One through six compartment kits are available off the shelf. Systems include: 1 FT103 monitor, 1 FT101 sensor per compartment, 1 FT400 100' cable and 1 FT402 (20 pcs.) strain reliefs. Sockets sold separately.



Optic Overfill Kit

OPTIC OVERFILL KITS

PART NO.	DESCRIPTION
FT1001	API compatible 1 compartment system (optic)
FT1002	API compatible 2 compartment system (optic)
FT1003	API compatible 3 compartment system (optic)
FT1004	API compatible 4 compartment system (optic)
FT1005	API compatible 5 compartment system (optic)
FT1006	API compatible 6 compartment system (optic)
FT1001-12	API compatible 1 compartment system (optic) - 12" probe
FT1002-12	API compatible 2 compartment system (optic) - 12" probe
FT1003-12	API compatible 3 compartment system (optic) - 12" probe
FT1004-12	API compatible 4 compartment system (optic) - 12" probe
FT1005-12	API compatible 5 compartment system (optic) - 12" probe
FT1006-12	API compatible 6 compartment system (optic) - 12" probe



FT100 Replacement Probe

The FT100 replacement probe is electronically and mechanically compatible with the API optic or 5 wire signal format. The FT100 sensor features a dual prism seal design which is more reliable than other designs which glue in the prism using epoxies. Custom lengths are available upon request. The FT100 is compatible with Scully #09208 and Civacon #1300. (probe housing is part # FT9000).

FT100 REPLACEMENT PROBE

PART NO.	DESCRIPTION
FT100	5 wire API optic probe, 7"
FT100-12	5 wire API optic probe, 12"
FT100-18	5 wire API optic probe, 18"



FT101 Sensor

The FT101 sensor is compatible with the API optic or 5 wire signal format. Our probe holder is cast aluminium with a 2" NPT mounting thread, heavy duty stainless steel hardware, and Viton® seals. Install in a 2" NPT female thread or 2³/₈" hole using the provided gasket and locking nut. (probe housing is part # FT9000).

FT101 SENSORS

PART NO.	DESCRIPTION
FT101	Sensor, optic, 5 wire, 2" NPT housing with 7" probe
FT101-12	Sensor, optic, 5 wire, 2" NPT housing with 12" probe
FT101-18	Sensor, optic, 5 wire, 2" NPT housing with 18" probe



FT103 Monitor

The FT103 API compatible monitor works with the FloTech API compatible sensor models FT101/ 100. This six channel monitor will provide API compatible optic, thermistor, and float socket outputs for a true load at any rack compatibility. Entity approved by CSA and FM to ensure safety. The FT102 replacement chassis is compatible with Civacon 3150 or Scully 08563 on-board monitors.

MONITOR

PART NO.	DESCRIPTION
FT103	API compatible on-board monitor, with housing
FT102	Replacement chassis, API compatible



FT155 Dummy

Dummies send a permissive signal for any missing compartments. For example, in the United States all overfill systems are formatted assuming a six compartment thermistor trailer. Therefore, the terminal controller must receive six permissive sensor signals to allow loading. One dummy can send up to five signals. Consequently a one to five compartment trailer will contain one FT155 dummy (wired to socket). In Canada, where eight channel systems are mandated, two FT155 dummies are needed with one to three compartment trailers and one FT155 for four to seven compartments. The FloTech FT155 thermistor dummy provides instant permissive signal in the coldest weather and is mechanically and electrically compatible with Scully and Civacon models.

FT155 DUMMY

PART NO.	DESCRIPTION
FT155	Thermistor dummy, 5 compartment



FT451 Grounding Ball

When using the FloTech trailer mounted ground ball the trailer cannot be loaded unless the terminal ground is directly connected to the ground ball.

GROUNDING BALL

PART NO.	DESCRIPTION
FT451	Stainless steel grounding ball



Cables and Fittings

Cables are colour matched to commonly used overfill systems and have a tough, thick outer jacket resistant to oil, UV and abrasion. For watertight cable/sensor connections apply FloTech brand strain/relief sealing glands. Two packages are available: FT402 - 20 pieces for typical top only sensor connection systems or; FT403 - 30 pieces for typical top and bottom sensor connection systems.

CABLES AND GLANDS

PART NO.	DESCRIPTION
FT400	5 conductor cable 100'
FT400-1000	5 conductor cable 1000 FT reel
FT401	7 conductor cable 100'
FT401-150	7 conductor cable 150'
FT401-1000	7 conductor cable 1000 FT reel
FT404	11 conductor cable 100'
FT404-150	11 conductor cable 150'
FT404-1000	11 conductor cable 1000' reel
FT402	Strain relief fittings, 1/2 NPT, 1 box = 20 pcs.
FT403	Strain relief fittings, 1/2 NPT, 1 box = 30 pcs.
FT405-500	Strain relief fittings, 1/2 NPT, 500 piece box



FT520 Optic System

The FT520 optic test kit includes a Go, No/Go tester and test lead sets to test five wire optic probes, two wire optic probes, and on-board monitor socket outputs. It uses the same permissive signal verification as an optic rack monitor. Optional FT521, FT522, FT523 optic test plugs are available for an entire trailer Go, No/Go test.

OPTIC SYSTEM TESTER

PART NO.	DESCRIPTION
FT520	Optic system tester
FT520CASE	Case only for FT520
FT520WOGA	Optic system tester with FT521 test plug no test leads
FT520WOGACASE	Optional case for FT520 WOGA
FT521	API optic test plug with six pins and three J-slots
FT522	Optic test plug with six pins and two or four J-slots
FT523	Optic test plug J-560 type
FT524	Thermistor socket test plug (US)
FT524-8	Thermistor socket test plug (Canada)

Sockets

Sockets allow the transfer of the electronic signal from the terminal control monitor to the tanker and return. Sockets will vary depending upon terminal equipment and regional regulations. Dixon offer a full line of sockets for all requirements. FloTech brand sockets are mechanically and electronically compatible with the API RP1004 Rel. 2003 Bottom Loading Specification. Optic and thermistor socket face plates are hard coated aluminium alloy to prevent J-slot wear. All hardware and contact buttons are stainless steel to prevent corrosion. FloTech brand sockets are standard colour coded to permit easy identification (optic sockets are blue, thermistors are green, and float are red). Coloured caps are included for optic and thermistor models. All sockets now incorporate the patented removable nose ring.



FT300 Optic Socket



FT301 Thermistor Socket



FT302 Float Socket

ALUMINIUM HARDCOAT J-SLOT WEAR RING

PART NO.	DESCRIPTION
FT300	Optic socket API / WOGA, 6 pin and 3 J-slots
FT301	Thermistor socket, API, 8 pin and 4 J-slots
FT302	Float, API, J560 pin type socket
FT303	Optic socket, 6 pin and 4 J-slots (U.S.)
FT304	Thermistor socket, 10 pin and 4 J-slots (Canada, Europe)
FT305	Thermistor socket, J560 pin type
FT306	Optic socket, J560 pin type
FT307	Optic socket, 6 pin and 4 J-slots (Canada)
FT3010	API optic face plate assembly, 6 pin, 3-J slots
FT3011	API thermistor face plate assembly, 8 pin, 4-J slots
FT3013	Optic pattern contact assembly with thermistor, 6 pin, 4-J slots
FT3014	Thermistor face plate assembly (Canada/Europe), 10 pin 4-J slots
FT3015	Thermistor replacement face plate, J560 type
FT3016	Optic replacement face plate, J560 type
FT3017	Optic pattern face plate assembly (Canada), 6 pin, 4-J slots
FT3020	Blue optic dust cap
FT3021	Green thermistor dust cap

GFL series stainless steel nose rings are now available on any configuration socket that you require. The Dixon stainless steel J-slots outlast competitor versions because they are tougher and more corrosion resistant than any other on the market. * GFL socket J-slots are so tough that they are "Guaranteed for Life" against wear. U.S. patent 6,824,423.

GFL (GUARANTEED FOR LIFE*) SERIES STAINLESS STEEL J-SLOT WEAR RING

PART NO.	DESCRIPTION
FT300SS	Optic socket API / WOGA, 6 pin and 3 J-slots GFL stainless wear ring
FT301SS	Thermistor socket, API, 8 pin and 4 J-slots GFL stainless wear ring
FT303SS	Optic socket, 6 pin and 4 J-slots (U.S.) GFL stainless wear ring
FT304SS	Thermistor socket, 10 pin and 4 J-slots (Canada, Europe) GFL stain.wear ring
FT307SS	Optic socket, 6 pin and 4 J-slots (Canada) GFL stainless wear ring
FT310SS	API optic face plate assembly, 6 pin, 3 J-slots GFL stainless wear ring
FT311SS	API thermistor face plate assembly, 8 pin, 4 J-slots GFL stainless wear ring
FT313SS	Optic pattern face plate assembly with thermistor, 6 pin, 4-J slots GFL stainless wear ring
FT314SS	Thermistor face plate assembly (Canada/Europe), 10 pin, 4-J slots GFL stainless wear ring
FT317SS	Optic pattern face plate assembly (Canada), 6 pin, 4 J-slots GFL stainless wear ring



L

Comparison Reference Chart

Listed is a cross reference between FloTech brand "Drop In" replacement parts and competitor products

REPLACEMENT PARTS & COMPETITOR PRODUCTS					
LIQUID LEVEL SENSORS	FLOTECH PART NO.	CIVACON PART NO.	SCULLY PART NO.	DESCRIPTION	
	FT100	1300	09209	Replacement probe, optic, 5-wire, 7" long	
	FT100-12	1300S	09214	Replacement probe, optic, 5-wire, 12" long	
	FT101	1110	09208	Sensor, optic, 5-wire, 2" NPT housing, 7" probe	
	FT101-12	1110S	09213	Sensor, optic, 5-wire, 2" NPT housing with 12" probe	
	FT150	1650	09409	Replacement probe, thermo-optic, 7" long, 2-wire (black & white)	
	FT150-12	1650S	09414	Replacement probe, thermo-optic, 12" long, 2-wire (black & white)	
	FT151	1550	09408	Sensor, thermo-optic, 2" NPT housing, 7" probe, 2-wire (black & white)	
	FT151-12	1550S	09413	Sensor, thermo-optic, 2" NPT housing, 12" probe, 2-wire (black & white)	
	FT152	-	08810	Retain sensor	
	FT155	1900	08542	Thermistor dummy, 5 compartment	
	FT201	1350	-	Replacement R/OM type, 7" top probe, 2-wire (red & black)	
	FT201-12	1350S	-	Replacement R/OM type, 12" top probe, 2-wire (red & black)	
	FT202	1050	-	Top sensor R/OM type, 2" NPT housing, 7" probe, 2-wire (red & black)	
	FT202-12	-	-	Top sensor R/OM type, 2" NPT housing, 12" probe, 2-wire (red & black)	
	FT205	1910	-	Terminator	
	FT206	1000	-	Retain sensor R/OM type, 2" NPT sensor (red & black)	
	ON BOARD MONITORS	FLOTECH PART NO.	CIVACON PART NO.	SCULLY PART NO.	DESCRIPTION
		FT102	3150	08563	Replacement chassis, API compatible
		FT103	3100	08687	API compatible on-board monitor, with housing
FT203P		3252	-	Replacement chassis, R/OM type on-board monitor	
FT204P		3202	-	R/OM type on-board monitor, with housing	
FT207		-	09100/09111	Replacement module, Checkmate on-board monitor	
FT208		-	09109/09107	Checkmate programmable monitor for top, or top and bottom sensors	
SOCKETS	FLOTECH PART NO.	CIVACON PART NO.	SCULLY PART NO.	DESCRIPTION	
	FT300	4100	07974	API compatible optic socket with cap (6 pin, 3 J-slots)	
	FT301	4400	07720	API compatible thermistor socket with cap (8 pin, 2/4 J-slots)	
	FT302	4600	08116	API compatible float socket	
	FT303	4200	07976	Optic pattern with thermistor J-slots, and cap (6 pin, 2/4 J-slots)	
	FT304	4401	07716	Canadian / European thermistor socket with cap (10 pin, 4 J-slots)	
	FT305	4500	07681	Thermistor socket, J560 type	
	FT306	4300	08199	Optic socket, J560 type	
	FT310	4110	21790	API optic face plate assembly with cap	
	FT311	4410	20770	API thermistor face plate assembly with cap	
	FT314	-	20768	Canadian / European thermistor replacement face plate with cap	
	FT320	4150	08575	Blue optic dust cap	
	FT321	4450	08574	Green thermistor dust cap	
	FT390	-	09060	EZ-Cept dual socket assembly	
	HARDWARE SYSTEM TESTERS	FLOTECH PART NO.	CIVACON PART NO.	SCULLY PART NO.	DESCRIPTION
FT400		2100	22056	5 conductor cable 100'	
FT401		2310	27382	7 conductor cable 100'	
FT402		2510	-	20 strain relief fittings, 1/2 NPT	
FT403		-	-	30 strain relief fittings, 1/2 NPT	
FT520		-	-	Optic system tester	
FT530		-	-	T.I.M. reader	

Civacon and R/OM are registered trademarks of Civacon/Dover Corp. Intellicheck is a registered trademark of Scully Signal Co.

Comparison Reference Chart (continued)

Listed is a cross reference between FloTech brand "Drop In" replacement parts and competitor products

REPLACEMENT PARTS & COMPETITOR PRODUCTS				
ON BOARD SYSTEMS	FLOTECH PART NO.	CIVACON PART NO.	SCULLY PART NO.	DESCRIPTION
	FT1004	2004	08305	API compatible 4 compartment system
	FT1005	2005	08306	API compatible 5 compartment system
	FT2004	3024	-	R/OM type, 4 compartment system
	FT2005	3025	-	R/OM type, 5 compartment system
	FT2104	3034	-	R/OM type, 4 compartment system (top only)
	FT2105	3035	-	R/OM type, 5 compartment system (top only)
	FT2801	-	08251	Checkmate system, one compartment, top only
	FT2802	-	08352	Checkmate system, two compartment, top only
	FT2803	-	08353	Checkmate system, three compartment, top only
	FT2804	-	08354	Checkmate system, four compartment, top only
	FT2805	-	08355	Checkmate system, five compartment, top only
	FT2806	-	08356	Checkmate system, six compartment, top only
	FT2807	-	08380	Checkmate system, seven compartment, top only
	FT2808	-	08381	Checkmate system, eight compartment, top only
	FT2811	-	08361	Checkmate system, one compartment, top and bottom sensors
	FT2812	-	08362	Checkmate system, two compartment, top and bottom sensors
	FT2813	-	08363	Checkmate system, three compartment, top and bottom sensors
	FT2814	-	08364	Checkmate system, four compartment, top and bottom sensors
	FT2815	-	08365	Checkmate system, five compartment, top and bottom sensors
	FT2816	-	08366	Checkmate system, six compartment, top and bottom sensors
	FT2817	-	08382	Checkmate system, seven compartment, top and bottom sensors
	FT2818	-	08383	Checkmate system, eight compartment, top and bottom sensors

Civacon and R/OM are registered trademarks of Civacon/Dover Corp. Intellichex is a registered trademark of Scully Signal Co.

Dixon Valve and Coupling Company warrants the FloTech products described herein, and manufactured by Dixon to be free from defects in material and workmanship for a period of three (3) years from date of shipment by Dixon under normal use and service.

For further warranty information see page 427.