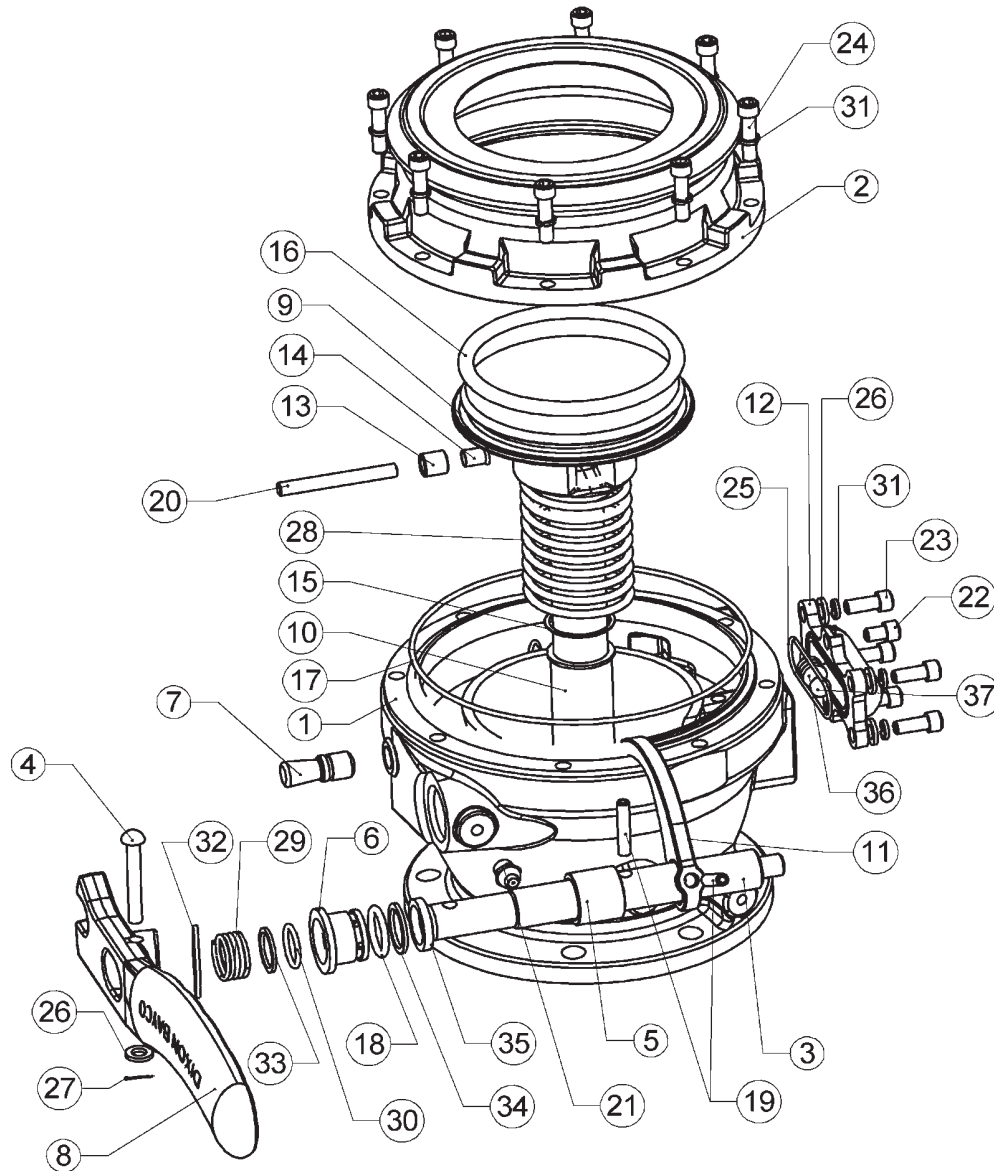


Fuel Tanker Loading and Unloading

5204 Series, API Bottom Load Valves



Petroleum
Replacement Parts

Repair Kits

Part #	Description	Include items #
5204K 2	complete rebuild kit: Baylast™ O-rings, bearings	6,10, 13, 14, 16A, 17A, 18A, 25A, 30, 35
5204K V2	complete rebuild kit: Viton® poppet O-ring, Baylast™ O-rings, bearings	6,10, 13, 14, 16B, 17B, 18B, 25B, 30, 35
5204K 3	replacement anodized nose ring with Baylast™ gasket, screws and lock washers	2, 17A, 24, 31
5204K 5	replacement detachable handle assembly (for 5204C and 5204NGC)	not illustrated
5204K 6	PTFE encapsulated seal kit, poppet O-ring, nose O-ring, shaft O-ring, and sight glass O-ring	16C, 17B, 18B, 25B
5204K 7	replacement fixed handle assembly	4, 8A, 26, 27, 29, 32
5204K 8	sight glass repair kit	12, 25A, 36, 37
5204K 9	sight glass cover kit (to convert units with sight glass to non-sight glass)	not illustrated
5204K 11	nose ring replacement 8 hex bolts & 8 washers kit	24, 31
5204K 12	sight glass replacement hardware, 6 hex bolts, 6 lock washers and 4 washers kit	23, 26, 31
5204K 13	replacement full body sight glass, seals and retainer kit	38, 39, 40

Product instruction sheets and technical data, can be viewed on our website www.dixonbayco.com, and select the "Resources" Menu

Fuel Tanker Loading and Unloading

5204 Series, API Bottom Load Valves

Bill of Materials

Qty of Components per Unit

Item #	Description	Part #	5204	5204NG	5204TNG	5204SNG	5204NGV	5204C	5204NGC	5204L	5204LNG
1	body - pipe end	---	1	1	1	1	1	1	1	1	1
2	nose ring	use kit 5204K 3	1	1	1	1	1	1	1	1	1
3	shaft	390812	1	1	1	1	1	1	1	N/A	N/A
4	handle pin	111559	1	1	1	1	1	N/A	N/A	N/A	N/A
5	shaft spacer	390813	1	1	1	1	1	1	1	N/A	N/A
6	shaft bearing	111557	1	1	1	1	1	1	1	N/A	N/A
7	stop pin	5204-SP	1	1	1	1	1	1	1	N/A	N/A
8A	fixed handle	use kit 5204K 7	1	1	1	1	1	N/A	N/A	N/A	N/A
8B	removeable handle	use kit 5204K 5	N/A	N/A	N/A	N/A	N/A	1	1	N/A	N/A
9A	poppet (Load/Unload versions)	341755	1	1	1	1	1	1	1	N/A	N/A
9B	poppet (Load only versions)	341756	N/A	N/A	N/A	N/A	N/A	N/A	N/A	1	1
10	poppet bearing	341801	1	1	1	1	1	1	1	1	1
11	cam	111550	1	1	1	1	1	1	1	N/A	N/A
12	sight glass	use kit 5204K 8	1	N/A	N/A	N/A	N/A	1	N/A	1	N/A
13	poppet roller	390815	1	1	1	1	1	1	1	N/A	N/A
14	poppet roller bearing	111556	1	1	1	1	1	1	1	N/A	N/A
15	retaining ring	111560	1	1	1	1	1	1	1	1	1
16A	Baylast™ poppet O-ring	5204K 1	1	1	N/A	1	N/A	1	1	1	1
16B	Viton® poppet O-ring	5204K V1	N/A	N/A	N/A	N/A	1	N/A	N/A	N/A	N/A
16C	PTFE encapsulated poppet O-ring	use kit 5204K 6	N/A	N/A	1	N/A	N/A	N/A	N/A	N/A	N/A
17A	nose ring O-ring	111554	1	1	N/A	1	1	1	1	1	1
17B	PTFE nose O-ring	use kit 5204K 6	N/A	N/A	1	N/A	N/A	N/A	N/A	N/A	N/A
18A	shaft O-ring	111552	1	1	N/A	1	1	1	1	N/A	N/A
18B	PTFE shaft O-ring	use kit 5204K 6	N/A	N/A	1	N/A	N/A	N/A	N/A	N/A	N/A
19	shaft and cam roll pin	6000-12	2	2	2	2	2	2	2	N/A	N/A
20	pin roller	111566	1	1	1	1	1	1	1	N/A	N/A
21	grease fitting	111561	1	1	1	1	1	1	1	N/A	N/A
23	sight glass screw	use kit 5204K 12	6	N/A	N/A	N/A	N/A	6	N/A	6	N/A
24	nose ring screw	use kit 5204K 11	8	8	8	8	8	8	8	8	8
25A	Baylast™ sight glass O-ring	use kit 5204K 8	1	N/A	N/A	N/A	N/A	1	N/A	1	N/A
25B	PTFE sight glass O-ring	use kit 5204K 6	N/A	N/A	N/A	N/A	N/A	N/A	N/A	N/A	N/A
26	washer	111562	5	1	1	1	1	4	N/A	4	N/A
27	cotter pin	111563	1	1	1	1	1	N/A	N/A	N/A	N/A
28A	main spring-steel	111564	1	1	N/A	N/A	1	1	1	1	1
28B	main spring- stainless steel	111542	N/A	N/A	1	1	N/A	N/A	N/A	N/A	N/A
29	handle spring	111565	1	1	1	1	1	1	1	N/A	N/A
30	dust seal O-ring	111553	1	1	1	1	1	1	1	N/A	N/A
31	lock washer 1/4"	111569	14	8	8	8	8	14	8	14	8
32	handle shaft spring washer	111573	1	1	1	1	1	1	1	N/A	N/A
33	handle shaft washer	111574	1	1	1	1	1	1	1	N/A	N/A
34	back-up ring	111579	1	1	1	1	1	1	1	N/A	N/A
35	u-cup seal	111580	1	1	1	1	1	1	1	N/A	N/A
36	flow indicator	use kit 5204K 8	1	N/A	N/A	N/A	N/A	1	N/A	N/A	N/A
37	float ball	use kit 5204K 8	1	N/A	N/A	N/A	N/A	1	N/A	1	N/A
38 *	retaining ring	use kit 5204K 13	N/A	N/A	N/A	N/A	N/A	N/A	N/A	N/A	N/A
39 *	SFI sight glass	use kit 5204K 13	N/A	N/A	N/A	N/A	N/A	N/A	N/A	N/A	N/A
40 *	SFI sight glass O-ring (Baylast™)	use kit 5204K 13	N/A	N/A	N/A	N/A	N/A	N/A	N/A	N/A	N/A

* not illustrated, parts for 5204-SFI
 • N/A = Not Applicable

Product instruction sheets and technical data, can be viewed on our website www.dixonbayco.com, and select the "Resources" Menu