

Introduction

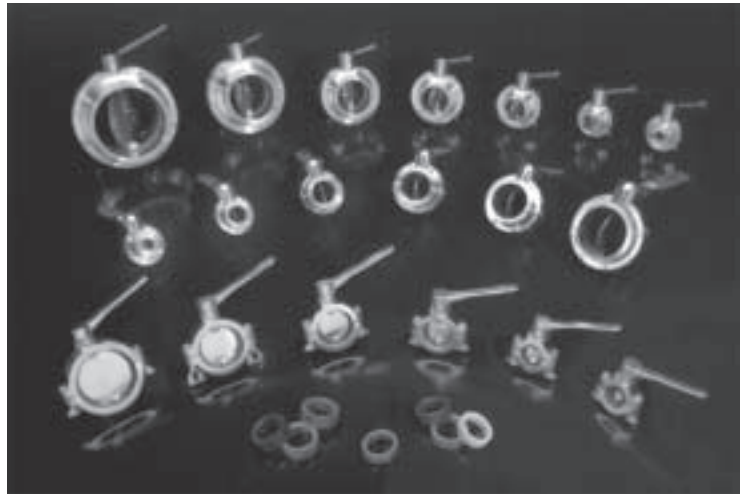
Size Range: 1" - 8" O.D. (25 - 200mm)

Materials: (316) CF8M

Type of ends available: Clamp, Buttweld, RJT, DIN, SMS, IDF

Type of seats available: EPDM, Viton®, Silicone

Contact Dixon for price and availability.



Dixon Hygienic offers a wide selection of Bradford™ stainless steel butterfly valves for use in hygienic process systems. These valves are simple, rugged and above all, dependable. Bradford™ butterfly valves can be used either as a shutoff valve (on/off service) or as a throttling valve (for flow control).

Pneumatic or electric actuators are available for automated control.

All Bradford™ butterfly valves are assembled without silicone lubricant.



B5101 Series Butterfly Valve

Application

Get control with the Bradford™ B5101 series stainless steel butterfly valves. The slim design, superior craftsmanship, choice materials, top quality strength and surface finished make the B5101 the preference of many industries with hygienic requirements. Various elastomers, end types and accessories make this a highly versatile valve.

Typical uses would include isolation of equipment, fill/drain systems, bypass systems and other similar applications.

Working Principle

The B5101 is actuated manually with various handle options or remotely by a pneumatic or electric actuator.

A variety of handle options for manual flow regulation are available. The valve is fully open when the handle is parallel to the pipeline.

Pneumatic actuators are available in three styles:

- air to open - spring to close (ATO/STC)
- air to close - spring to open (ATC/STO)
- double acting (ATO/ATC)



Features and Benefits

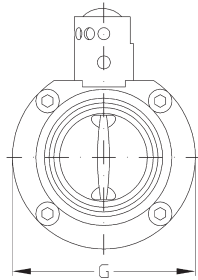
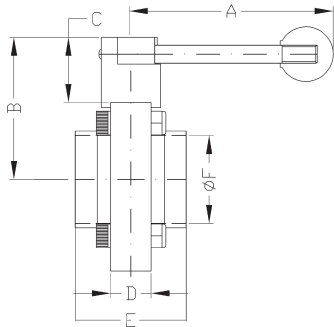
- Low resistance to flow
- Bi-directional
- Gentle to media
- Suitable for low and medium viscosity fluids
- Field serviceable (no special tools required)
- Self-draining
- Various manual or automatic operators available
- Special handle available for accurate, manual flow balancing capabilities
- Polyacetal bushings for the valve disc reduce friction and increase cycle life
- Optional wing nut kit is available for effortless valve assembly and disassembly
- 100% tested/100% inspected
- All wetted surfaces are hygienic finished to < 32Ra
- Seat materials available include: silicone, EPDM, Viton®, (6" EPDM and silicone, 8" EPDM only)
- Sizes from 1" - 8"

B5101 Series Butterfly Valve



B51 SERIES BUTTERFLY VALVE WITH PULL HANDLE

SIZE	PART NUMBER WITH SILICONE SEATS	PART NUMBER WITH VITON® SEATS	PART NUMBER WITH EPDM SEATS
1"	B5101S100XX-A	B5101V100XX-A	B5101E100XX-A
1½"	B5101S150XX-A	B5101V150XX-A	B5101E150XX-A
2"	B5101S200XX-A	B5101V200XX-A	B5101E200XX-A
2½"	B5101S250XX-A	B5101V250XX-A	B5101E250XX-A
3"	B5101S300XX-A	B5101V300XX-A	B5101E300XX-A
4"	B5101S400XX-A	B5101V400XX-A	B5101E400XX-A
6"	B5101S600XX-A	--	B5101E600XX-A
8"	----	--	B5101E800XX-A



SIZE	DIMENSIONS (mm)						
	A	B	C	D	E	F	G
1"	111.76	71.12	35.56	22.86	48.26	22.86	78.74
1½"	111.76	71.12	35.56	22.86	48.26	35.56	78.74
2"	111.76	78.74	35.56	22.86	50.80	48.26	99.06
2½"	111.76	88.90	35.56	22.86	53.34	60.96	116.84
3"	157.48	96.52	33.02	30.48	63.50	73.66	132.08
4"	157.48	114.30	33.02	30.48	78.74	96.52	170.18
6"	292.10	139.70	33.02	30.48	139.70	147.32	215.90
8"	457.20	175.26	40.64	30.48	124.46	198.12	284.48

Note: All dimensions are for Butt Weld End option. Dimensions are approximate.

Engineering dimensions are available upon request.

Specifications are subject to change without notice.

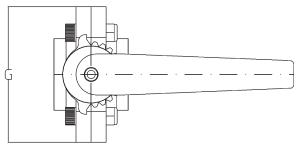
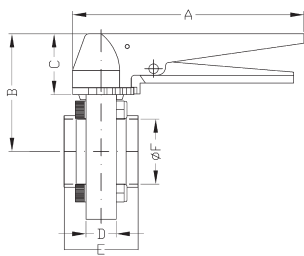
RJT, DIN, SMS, IDF CLAMP ENDS AVAILABLE.

N



B51 SERIES BUTTERFLY VALVE WITH TRIGGER HANDLE

SIZE	PART NUMBER WITH SILICONE SEATS	PART NUMBER WITH VITON® SEATS	PART NUMBER WITH EPDM SEATS
1"	B5101S100XX-C	B5101V100XX-C	B5101E100XX-C
1½"	B5101S150XX-C	B5101V150XX-C	B5101E150XX-C
2"	B5101S200XX-C	B5101V200XX-C	B5101E200XX-C
2½"	B5101S250XX-C	B5101V250XX-C	B5101E250XX-C
3"	B5101S300XX-C	B5101V300XX-C	B5101E300XX-C
4"	B5101S400XX-C	B5101V400XX-C	B5101E400XX-C
6"	B5101S600XX-C	--	B5101E600XX-C
8"	----	--	B5101E800XX-C



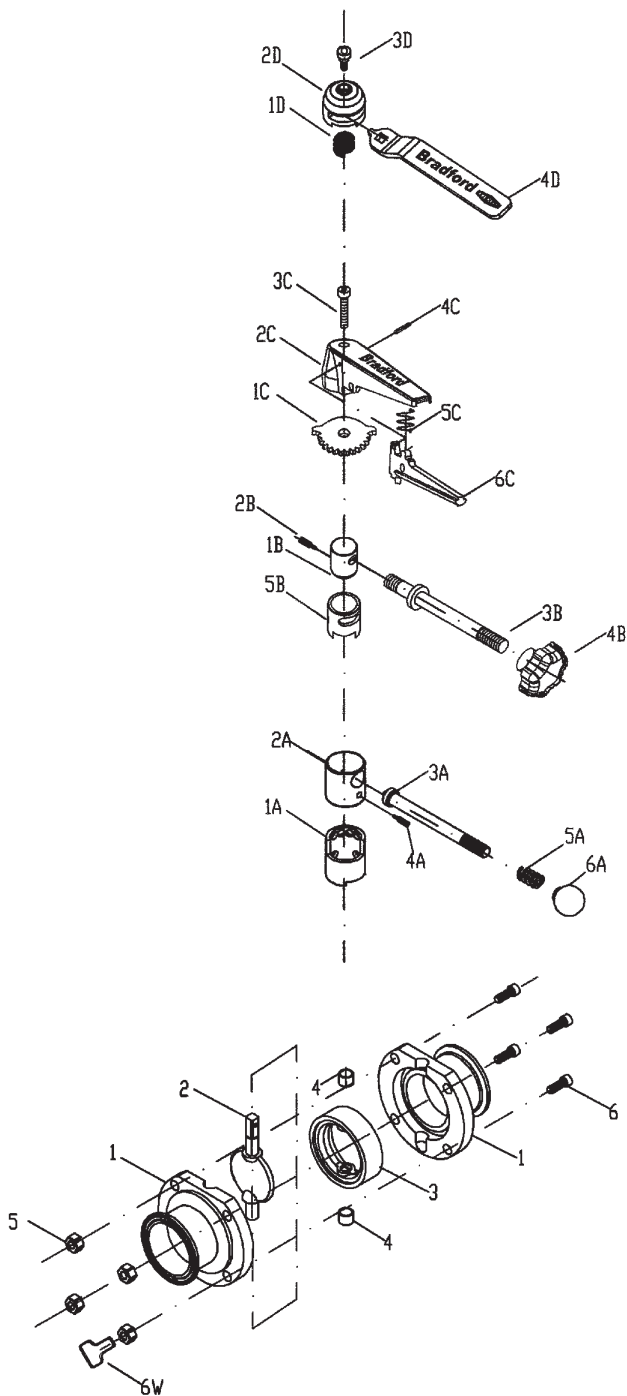
SIZE	DIMENSIONS (mm)						
	A	B	C	D	E	F	G
1"	167.64	76.20	43.18	22.86	48.26	22.86	78.74
1½"	167.64	76.20	43.18	22.86	48.26	35.56	78.74
2"	167.64	88.90	43.18	22.86	50.80	48.26	99.06
2½"	167.64	93.98	43.18	22.86	53.34	60.96	116.84
3"	167.64	99.06	43.18	30.48	63.50	73.66	132.08
4"	167.64	121.92	43.18	30.48	78.74	96.52	170.18

Note: All dimensions are for Butt Weld End option. Dimensions are approximate.

Engineering dimensions are available upon request.

Specifications are subject to change without notice.

RJT, DIN, SMS, IDF CLAMP ENDS AVAILABLE.



MATERIALS LIST

ITEM #	DESCRIPTION	MATERIAL	QTY
PUSH HANDLE			
1D	spring	304	1
2D	hub	CF8	1
3D	handle	CF8	1
4D	hex socket bolt	304	1
TRIGGER HANDLE			
1C	sprocket	CF8	1
2C	handle	CF8	1
3C	hex socket bolt	304	1
4C	pin	304	1
5C	spring	304	1
6C	trigger	CF8	1
INFINITE HANDLE			
1B	hub	CF8	1
2B	hex socket screw	304	1
3B	handle shaft	304	1
4B	knob	polymer	1
5B	hub housing	CF8	1
PULL HANDLE			
1A	hub housing	CF8	1
2A	hub	CF8	1
3A	handle shaft	304	1
4A	hex socket screw	304	1
5A	spring	304	1
6A	knob	polymer	1
VALVE			
1	body half	CF8M	1
2	disc	CF8M	1
3	seat	silicone EPDM Viton®	1
4	bushing	polyacetal	2
5	hex nut	304	4 *
6	bolt	304	4 *
6W	wing nut kit (optional)	304	4 *

* 6" valve has a quantity of 8 each

4" and 8" valves have a quantity of 6 each

Repair Kit contains:

- (1) silicone, EPDM, or Viton® seal
- (2) bushings

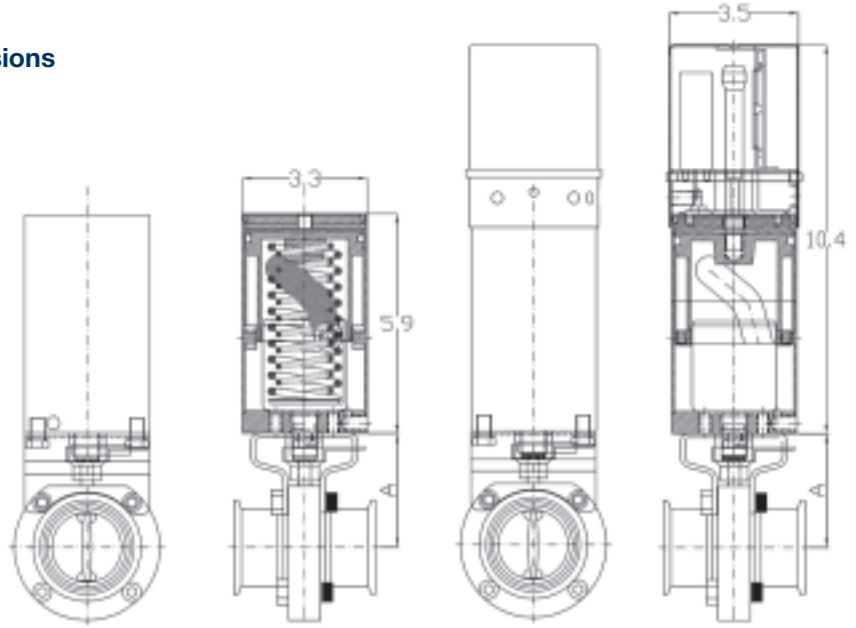
B51 SERIES BUTTERFLY VALVE WITH TRIGGER HANDLE

SIZE	(RED) SILICONE PART NO.	(BLACK) EPDM PART NO.	(BROWN) VITON® PART NO.
1"	B5101-RKS100	B5101-RKE100	B5101-RKV100
1½"	B5101-RKS150	B5101-RKE150	B5101-RKV150
2"	B5101-RKS200	B5101-RKE200	B5101-RKV200
2½"	B5101-RKS250	B5101-RKE250	B5101-RKV250
3"	B5101-RKS300	B5101-RKE300	B5101-RKV300
4"	B5101-RKS400	B5101-RKE400	B5101-RKS400
6"	B5101-RKS600	B5101-RKE600	---
8"	---	B5101-RKE800	---

Butterfly Valve Automation - 5101 Series

Technical Data, Specifications and Dimensions

SIZE	DIMENSION A (in)
1"	68.58
1½"	68.58
2"	78.74
2½"	88.9
3"	93.98
4"	114.3



Note: all dimensions are in inches. Dimensions are approximate. Engineering dimensions are available upon request. Specifications are subject to change without notice.

BUTTERFLY VALVE WITH EPDM SEATS AND A VERTICAL SPRING RETURN NORMALLY OPEN PNEUMATIC CANISTER STYLE ACTUATOR

PART NUMBER	SIZE
B5101E100CC-F	1"
B5101E150CC-F	1½"
B5101E200CC-F	2"
B5101E250CC-F	2½"
B5101E300CC-F	3"
B5101E400CC-F	4"



BUTTERFLY VALVE WITH EPDM SEATS AND A VERTICAL SPRING RETURN NORMALLY CLOSED PNEUMATIC CANISTER STYLE ACTUATOR

PART NUMBER	SIZE
B5101E100CC-G	1"
B5101E150CC-G	1½"
B5101E200CC-G	2"
B5101E250CC-G	2½"
B5101E300CC-G	3"
B5101E400CC-G	4"

BUTTERFLY VALVE WITH EPDM SEATS AND A VERTICAL DOUBLE ACTING PNEUMATIC CANISTER STYLE ACTUATOR

PART NUMBER	SIZE
B5101E100CC-H	1"
B5101E150CC-H	1½"
B5101E200CC-H	2"
B5101E250CC-H	2½"
B5101E300CC-H	3"
B5101E400CC-H	4"

SILICONE AND VITON® SEATS ARE ALSO AVAILABLE.

Manual Butterfly Valves with Limit Switch

Dixon Hygienic offers remote indication on manual valves. Make sure valves are open or closed from a remote location.

Features and Benefits

- Signal back equipment can be provided for information on open / close positions, intermediate and proportional feedback
- Position detection can be determined using mechanical switches, proximity switches, or 4-20 mA signal transmission in NEMA 4 or NEMA 7 enclosures



Bradford™ manual butterfly valve with remote indication.

B5101S200CC-LJ remote indication is also available on ball valves.



Bradford™ automated butterfly valve with vertical canister air-to-open spring-to-close actuator and proximity sensors. **B5101S200CC-MI**



Bradford™ automated butterfly valve with vertical canister air-to-open spring-to-close actuator and control top, with 24VDC solenoid. **B5101S200CC-ZB**

DIXON HYGIENIC OFFERS VARIOUS CONFIGURATIONS OF AUTOMATED BUTTERFLY VALVES. CALL FOR PRICE AND DELIVERY.