

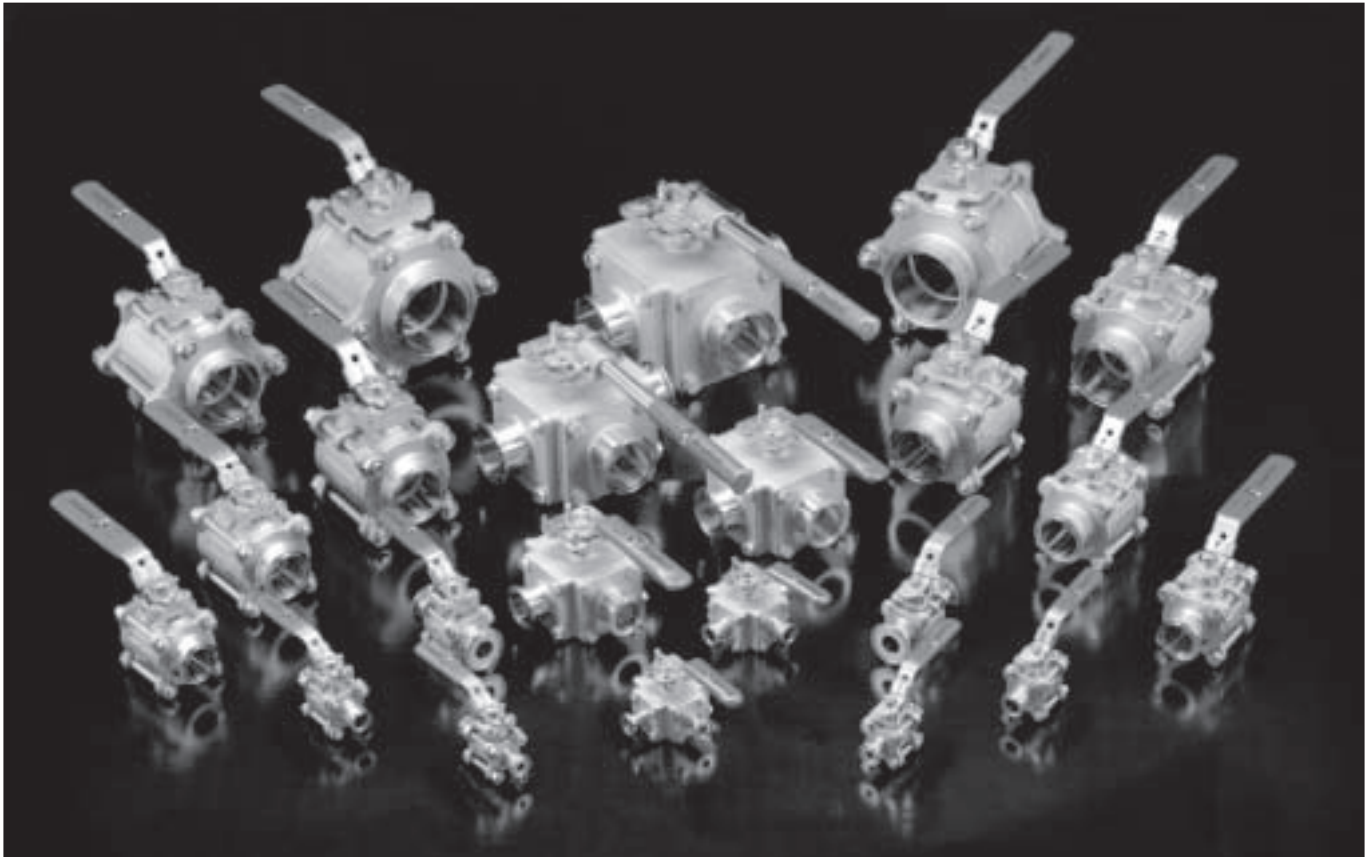
Ball Valves

Size Range: 1/2" - 4" O.D. (12 - 100mm)

Materials: (316) CF8M

Type of ends available: Clamp, Butt weld, RJT, DIN, SMS, IDF (other optional end connections available)

Contact your Dixon distributor for price and availability.




M

Businesses from food and beverage to pharmaceutical and cosmetics have trusted Dixon Hygienic ball valves for many years. The reason: Dixon Hygienic has the quality valves they need.

Ball valves are available in 1/2" - 4" and in various end connections such as triclamp, butt-weld, RJT, DIN, SMS, and IDF. Call for delivery as these ends are special order. Actuation is available in double acting, air-to-spring and electric. Please call for delivery as availability varies according to the requirements.

The Hygienic Standard was created by the dairy industry as a voluntary benchmark for product performance and hygienic safety. The standard, developed in collaboration by a group of processors, suppliers, regulatory officials and sanitation specialists, is generally accepted by regulatory authorities.

Our products have earned the  , which requires an annual assessment to make certain each product conforms in all respects to the published standard. Dixon ball valves carrying the symbol conform to the hygienic standards for valves for milk and milk products (#68-00).

Dixon Hygienic is proud to be a participant in the programme and maintaining the standard.



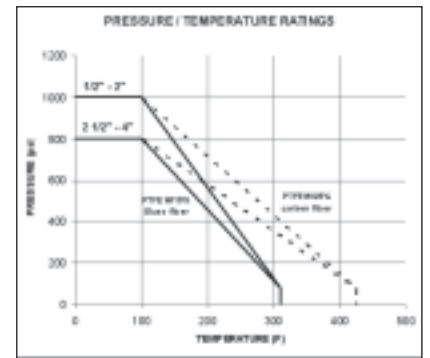
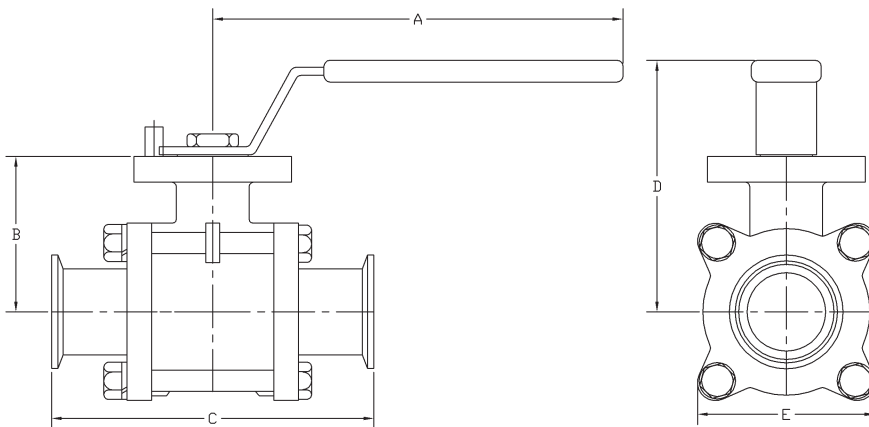
2-Way 3-piece Encapsulated Ball Valve



The Dixon ball valve is designed as a three piece construction with swing out centre section for easy field repair and cleaning in place. Operating parts are stainless steel type CF8M (316) conforming to ASTM A351, solution annealed and passivated for corrosion resistance.

The ball is fully encapsulated to eliminate cavities for bacteria to form. Live loaded stem packing provides a leak proof design which allows time for scheduled maintenance. The full port design creates less turbulence and is self draining. Elevated, integral ISO 5211 mounting pad is part of the valve design making actuation easy without any custom brackets. The handle makes this suitable for lock-out / tag-out applications.

- ID is polished to 3A or better
- Live loaded stem packing
- Blow-out-proof stem design
- Direct mount actuation: double, air to spring, and electric
- Various ends available: clamp, butt weld, RJT, DIN, SMS, AND IDF
- Rated at 1,000 PSI WOG (water, oil and gas), most applications



PART NO.	SIZE	DIMENSIONS (inches)					ASSEMBLY TORQUE (lbs)	BREAK TORQUE (lbs)	WEIGHT (lbs)
		A	B	C	D	E			
BV2C*-050CC-A	1/2"	4.7	1.5	4.3	3	1.9	160	50	1.5
BV2C*-075CC-A	3/4"	4.7	1.8	4.7	3.3	2.2	160	25	1.9
BV2C*-100CC-A	1"	5.2	2.1	4.9	3.6	2.4	160	90	2.7
BV2C*-150CC-A	1 1/2"	7.2	2.7	5.6	4.4	3.1	200	110	4.8
BV2C*-200CC-A	2"	7.2	3.1	6.4	4.8	3.7	212	300	8.9
BV2C*-250CC-A	2 1/2"	14.6	3.8	7.8	5.2	4.8	221	400	18.7
BV2C*-300CC-A	3"	15.7	4.2	9.0	5.7	5.4	239	550	29.7
BV2C*-400CC-A	4"	15.7	5.3	9.5	6.8	8.8	266	750	43.6

* See seat material options chart on page 55.

All dimensions are in inches. Dimensions are approximate. Engineering dimensions are available upon request.

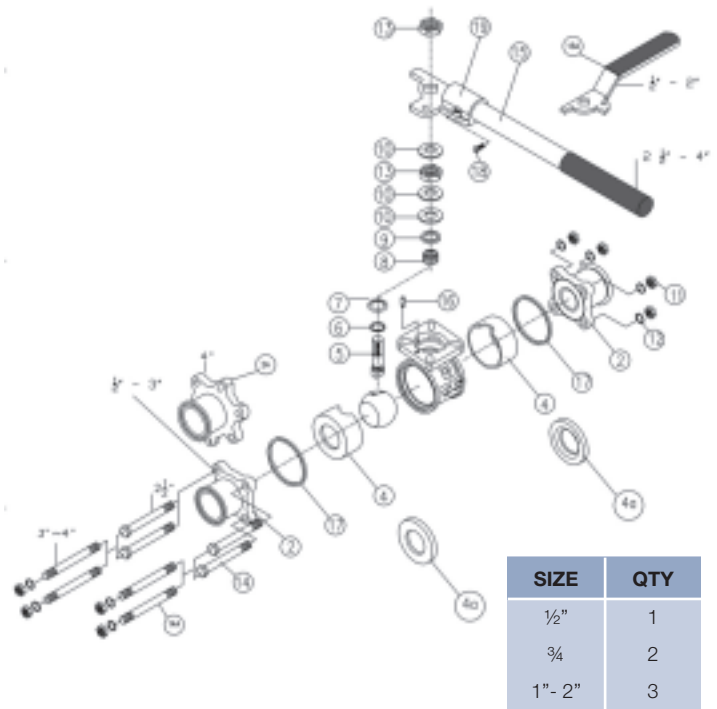
Specifications are subject to change without notice.

M

Encapsulated 2-way 3 Piece Stainless Steel Ball Valve

Materials List for BV2C

ITEM	DESCRIPTION	MATERIAL	QUANTITY			
			1/2" - 2"	2 1/2"	3"	4"
1	body	ASTM A351-CF8M	1	1	1	1
2	end (4-bolt)	ASTM A351-CF8M	2	2	2	n/a
2A	end (6-bolt)	ASTM A351-CF8M	n/a	n/a	n/a	2
3	ball	ASTM A351-CF8M	1	1	1	1
4	seat (encapsulated)	see chart below	2	2	2	2
4A	seat (nonencap.)	see chart below	n/a	n/a	n/a	n/a
5	stem	see chart below	1	1	1	1
6	thrust washer	see chart below	1	1	1	1
7	O-ring	RTF	1	1	1	1
8	stem packing	see chart below	*	3	3	3
9	ring	AISI 316	1	1	1	1
10	bevel washer	AISI 301	3	3	3	3
11	hex nut	AISI 304	4	4	8	12
12	bolt washer	AISI 304	4	4	8	12
13	nut	AISI 304	2	2	2	2
14	bolt	AISI 304	4	4	n/a	n/a
14A	bolt (double thread)	AISI 304	n/a	n/a	4	6
15	handle	AISI 304/rubber	1	n/a	n/a	n/a
15A	handle (rod)	AISI 304/rubber	n/a	1	1	1
16	stop pin	AISI 316	1	1	1	1
17	gasket	see chart below	2	2	2	2
18	handle nut	AISI 304	n/a	1	1	1
19	handle head	AISI 304	n/a	1	1	1



REPAIR KITS FOR BV2C					
SIZE	VIRGIN PTFE	RTFE	25% CARBON TFE	50% STAINLESS PTFE	UMHW
1/2"	BV-2C-VK050	BV-2C-GK050	BV-2C-CK050	BV-2C-SK050	BV-2C-UK050
3/4"	BV-2C-VK075	BV-2C-GK075	BV-2C-CK075	BV-2C-SK075	BV-2C-UK075
1"	BV-2C-VK100	BV-2C-GK100	BV-2C-CK100	BV-2C-SK100	BV-2C-UK100
1 1/2"	BV-2C-VK150	BV-2C-GK150	BV-2C-CK150	BV-2C-SK150	BV-2C-UK150
2"	BV-2C-VK200	BV-2C-GK200	BV-2C-CK200	BV-2C-SK200	BV-2C-UK200
2 1/2"	BV-2C-VK250	BV-2C-GK250	BV-2C-CK250	BV-2C-SK250	BV-2C-UK250
3"	BV-2C-VK300	BV-2C-GK300	BV-2C-CK300	BV-2C-SK300	BV-2C-UK300
4"	BV-2C-VK400	BV-2C-GK400	BV-2C-CK400	BV-2C-SK400	BV-2C-UK400

Repair Kit contains:

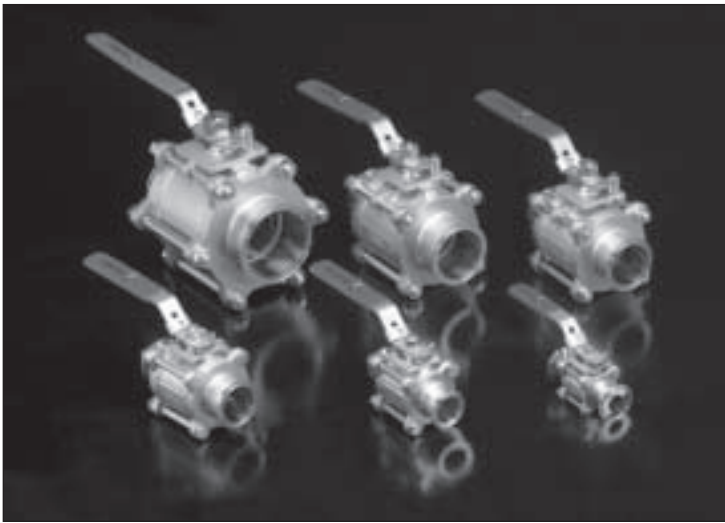
- (2) body seals
- (2) O-rings
- (1) thrust washer
- (3) stem packings

Non-encapsulated version also available for actuation.

SEAT MATERIAL OPTIONS		
CODE	DESCRIPTION	3A
V	Virgin PTFE	yes
G	RTFE	yes
C	25% carbon PTFE	no
S	SS reinforced PTFE	yes
U	UHMW	yes

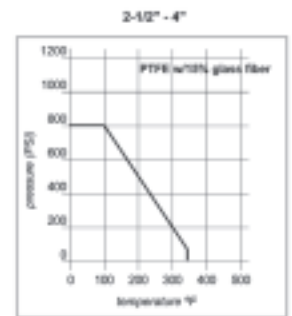
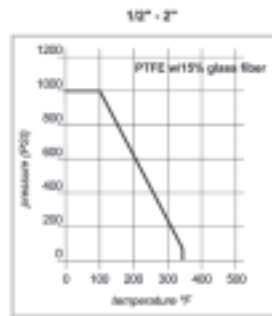
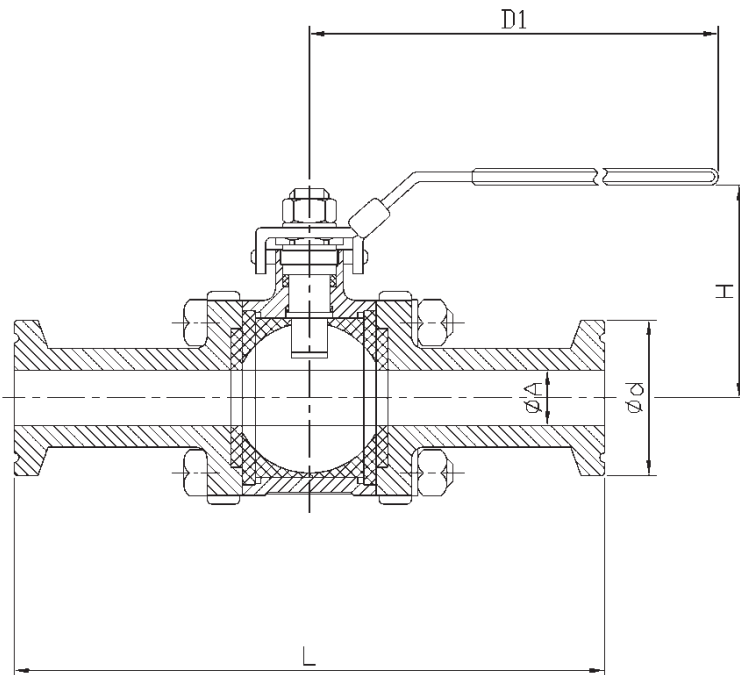
See page 105 for material specifications and applications.

2-Way 3-piece Non-Encapsulated Ball Valve



This ball valve is designed as a three piece construction with swing out centre section for easy field repair and cleaning in place. Operating parts are stainless steel type CF8M (316) conforming to ASTM A351, solution annealed and passivated for corrosion resistance. Integral ISO 5211 mounting pad is part of the valve design making actuation easy without any custom brackets. The handle makes this suitable for lock-out / tag-out applications.

- ID is polished to 3A or better
- Blow-out-proof stem design
- Various Ends Available: Clamp, RJT, Buttweld, DIN, SMS & IDF
- Actuation available: double, air-to-spring, and electric
- Rated at 1,000 PSI WOG (water, oil and gas), most applications

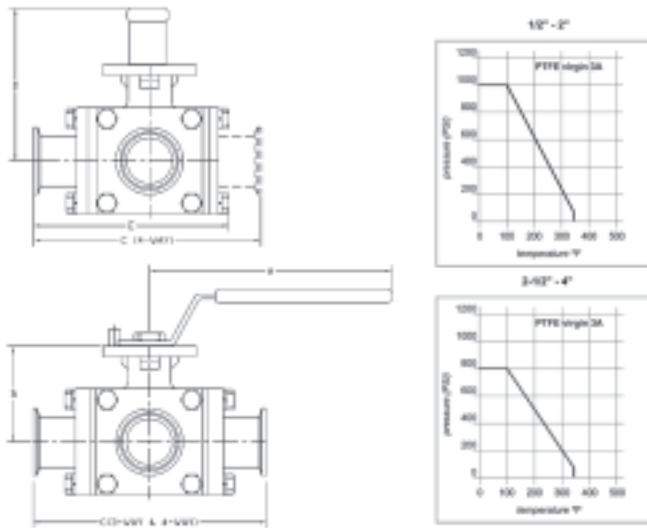
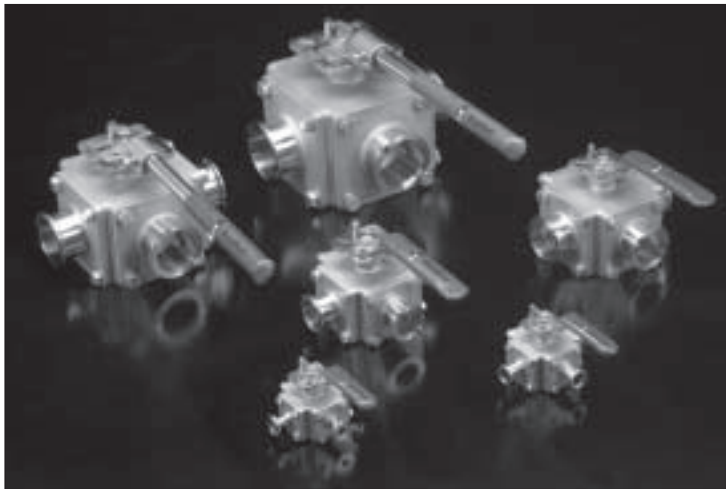


PART NO.	SIZE	DIMENSIONS (inches)					BREAK TORQUE (lbs)	WEIGHT (lbs)
		D1	H	L	ØA	ØD		
BV2GG-050CC-A	1/2"	4.1	2.3	4.6	0.37	1.0	55	1.4
BV2GG-075CC-A	3/4"	4.1	2.5	4.7	0.63	1.0	71	1.8
BV2GG-100CC-A	1"	5.0	2.8	4.9	0.87	2.0	101	2.6
BV2GG-150CC-A	1 1/2"	6.1	3.5	5.6	1.38	2.0	221	4.6
BV2GG-200CC-A	2"	7.6	3.9	6.4	1.87	2.5	345	8.5
BV2GG-250CC-A	2 1/2"	7.6	4.4	7.8	2.37	3.0	883	17.8
BV2GG-300CC-A	3"	10.9	4.9	9.0	2.87	3.6	830	28.2
BV2GG-400CC-A	4"	13.2	6.6	9.6	3.83	4.7	1323	41.4

Note: all dimensions are in inches. Dimensions are approximate. Engineering dimensions are available upon request.

Specifications are subject to change without notice.

3-Way Encapsulated Hygienic Ball Valve



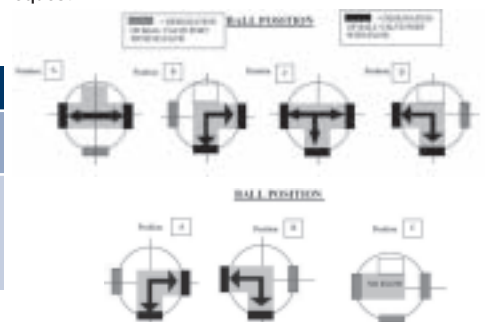
The Dixon 3-way ball valve is designed with a balanced four seat construction. Live loaded stem packing provides a leak-proof design allowing time to schedule maintenance. Operating parts are stainless steel type CF8M (316) conforming to ASTM A351, solution annealed and passivated for corrosion resistance. It is fully encapsulated to eliminate cavities for bacteria to form. Multiple flow patterns allow for more versatility in your processing applications. Integral ISO 5211 mounting pad is part of the valve design making actuation easy. The handle makes this suitable for lock-out / tag-out applications.

- ID is polished to 3A or better (Ra 32 min 0.8 micron)
- Blow-out-proof stem design
- Various ends available: Clamp, Butt weld, RJT, DIN, SMS, and IDF
- Actuation available: double-acting, air-to-spring, electric
- Rated at 1,000 PSI WOG (water, oil and gas) most applications
- Live loaded stem packing
- T and L flow patterns (side entry only)

3-WAY 'L' PORT PART NUMBER	3-WAY 'T' PORT PART NUMBER	SIZE (inches)	DIMENSIONS (inches)					BREAK TORQUE (IN-LBS.)		WEIGHT (LBS.)
			A	B	C	D	E	'L' PORT	'T' PORT	
BV3S*LF050CC-A	BV3S*TF050CC-A	1/2"	4.7	1.8	4.6	3.2	3.9	62	50	3.6
BV3S*LF075CC-A	BV3S*TF075CC-A	3/4"	4.7	1.9	5.0	3.4	4.2	75	60	4.3
BV3S*LF100CC-A	BV3S*TF100CC-A	1"	5.2	2.3	6.0	3.8	5.0	100	80	6.8
BV3S*LF150CC-A	BV3S*TF150CC-A	1 1/2"	7.2	2.8	6.9	4.5	5.8	262	210	12.6
BV3S*LF200CC-A	BV3S*TF200CC-A	2"	7.2	3.2	7.5	5.0	6.7	535	425	21.6
BV3S*LF250CC-A	BV3S*TF250CC-A	2 1/2"	14.6	3.9	9.0	5.3	7.1	1250	1000	33.7
BV3S*LF300CC-A	BV3S*TF300CC-A	3"	15.7	4.9	10.2	6.4	8.5	1625	1300	56.4
BV3S*LR400CC-A	BV3S*TR400CC-A	4"	15.7	5.3	11.4	6.8	10.6	1875	1500	85.4

- (*) see seat material options chart on page 58.
- All dimensions are in inches. Dimensions are approximate. Engineering dimensions are available upon request. Specifications are subject to change without notice.

T PATTERN (TOP VIEW, 3 WAY, SIDE ENTRY)					
NUMBER	ROTATION	FLOW PLAN OPTIONS	NUMBER	ROTATION	FLOW PLAN OPTIONS
1	90°	1	5	180°	1
2	90°	2	6	180°	2
3	90°	3	7	180°	3
4	90°	4	8	180°	4



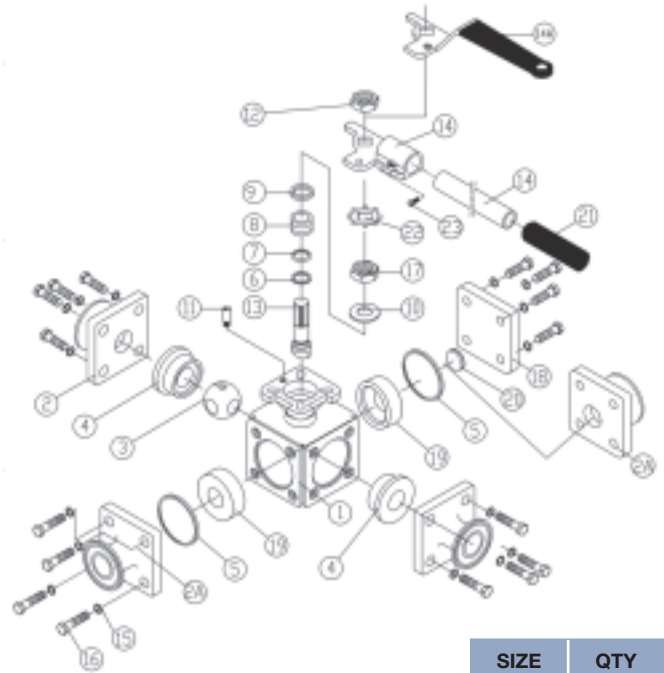
4 way available. Contact Dixon for more information.



Multi-port 3-way Hygienic Stainless Steel Ball Valve

Materials List for BV3S/BV4S

ITEM	DESCRIPTION	MATERIAL	QUANTITY			
			3-WAY		4-WAY	
			1/2"-2"	2 1/2"-4"	1/2"-2"	2 1/2"-4"
1	body	ASTM A351-CF8M	1	1	1	1
2	end (large)	ASTM A351-CF8M	3	1	4	2
2A	end (small)	ASTM A351-CF8M	n/a	2	n/a	2
3	ball	ASTM A351-CF8M	1	1	1	1
4	seat 1	see chart below	2	2	2	2
5	gasket	see chart below	2	2	2	2
6	thrust washer	see chart below	1	1	1	1
7	O-ring	RTF	1	1	1	1
8	stem packing	see chart below	*	3	*	3
9	ring	AISI 316	1	1	1	1
10	spring washer	AISI 301	2	2	2	2
11	stop pin	AISI 316	1	1	1	1
12	nut	AISI 304	1	1	1	1
13	stem	AISI 316	1	1	1	1
14	handle	AISI 304	n/a	1	n/a	1
14A	handle w/cover	AISI 304/plastic	1	n/a	1	n/a
15	lock washer	AISI 304	16	16	16	16
16	bolt	AISI 304	16	16	16	16
17	stem packing nut	AISI 304	1	1	1	1
18	cover plate	ASTM A351-CF8M	1	1	n/a	n/a
19	seat 2	see chart below	2	2	2	2
20	plug	see chart below	1	1	n/a	n/a
21	handle cover	plastic	n/a	1	n/a	1
22	lock washer	AISI 304	n/a	1	n/a	1
23	handle bolt	AISI 304	n/a	1	n/a	1



SIZE	QTY
1/2"	1
3/4"	2
1" - 2"	3

REPAIR KITS FOR BV3S

SIZE	VIRGIN PTFE	RTFE	25% CARBON TFE	50% STAINLESS PTFE	UMHW
1/2"	BV-3SVFRK050	BV-3SGRK050	BV-3SCRK050	BV-3SSRK050	BV-3SURK050
3/4"	BV-3SVFRK075	BV-3SGRK075	BV-3SCRK075	BV-3SSRK075	BV-3SURK075
1"	BV-3SVFRK100	BV-3SGRK100	BV-3SCRK100	BV-3SSRK100	BV-3SURK100
1 1/2"	BV-3SVFRK150	BV-3SGRK150	BV-3SCRK150	BV-3SSRK150	BV-3SURK150
2"	BV-3SVFRK200	BV-3SGRK200	BV-3SCRK200	BV-3SSRK200	BV-3SURK200
2 1/2"	BV-3SVFRK250	BV-3SGRK250	BV-3SCRK250	BV-3SSRK250	BV-3SURK250
3"	BV-3SVFRK300	BV-3SGRK300	BV-3SCRK300	BV-3SSRK300	BV-3SURK300
4"	BV-3SVFRK400	BV-3SGRK400	BV-3SCRK400	BV-3SSRK400	BV-3SURK400

Repair Kit contains:

- (2) body seals
- (2) O-rings
- (1) thrust washer
- (3) stem packings

Non-encapsulated version also available for actuation.

SEAT MATERIAL OPTIONS

CODE	DESCRIPTION	3A
V	Virgin PTFE	yes
G	RTFE	yes
C	25% carbon PTFE	no
S	SS reinforced PTFE	yes
U	UHMW	yes

See page 105 for material specifications and applications.

Multi-port 4-way Hygienic Stainless Steel Ball Valve



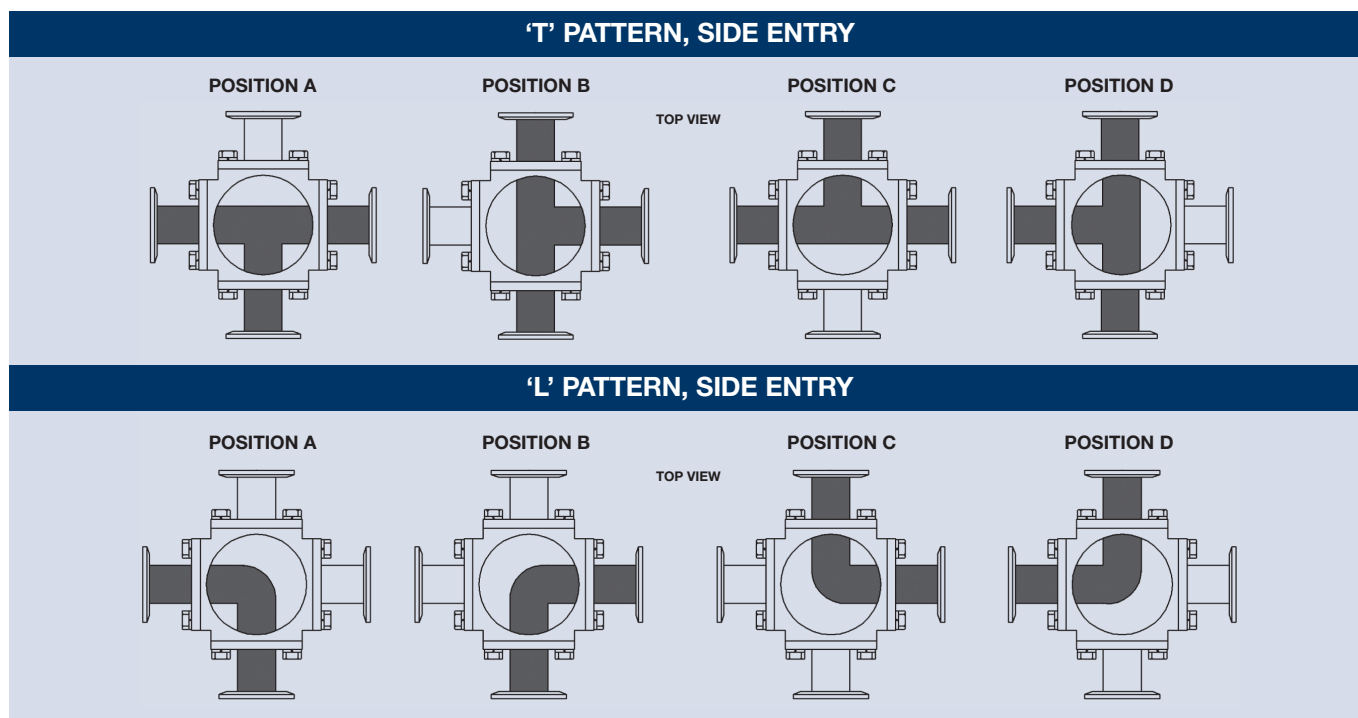
SIZE	L' PORT PART NUMBER	'T' PORT PART NUMBER
1/2"	BV4S*LF050CC-A	BV4S*TF050CC-A
3/4"	BV4S*LF075CC-A	BV4S*TF075CC-A
1"	BV4S*LF100CC-A	BV4S*TF100CC-A
1 1/2"	BV4S*LF150CC-A	BV4S*TF150CC-A
2"	BV4S*LF200CC-A	BV4S*TF200CC-A
2 1/2"	BV4S*LF250CC-A	BV4S*TF250CC-A
3"	BV4S*LF300CC-A	BV4S*TF300CC-A
4"	BV4S*LR400CC-A	BV4S*TR400CC-A

REPAIR KITS FOR BV4S					
SIZE	VIRGIN PTFE	RTFE	25% CARBON TFE	50% STAINLESS PTFE	UMHW
1/2"	BV-4SVRK050	BV-4SGRK050	BV-4SCRK050	BV-4SSRK050	BV-4SURK050
3/4"	BV-4SVRK075	BV-4SGRK075	BV-4SCRK075	BV-4SSRK075	BV-4SURK075
1"	BV-4SVRK100	BV-4SGRK100	BV-4SCRK100	BV-4SSRK100	BV-4SURK100
1 1/2"	BV-4SVRK150	BV-4SGRK150	BV-4SCRK150	BV-4SSRK150	BV-4SURK150
2"	BV-4SVRK200	BV-4SGRK200	BV-4SCRK200	BV-4SSRK200	BV-4SURK200
2 1/2"	BV-4SVRK250	BV-4SGRK250	BV-4SCRK250	BV-4SSRK250	BV-4SURK250
3"	BV-4SVRK300	BV-4SGRK300	BV-4SCRK300	BV-4SSRK300	BV-4SURK300
4"	BV-4SVRK400	BV-4SGRK400	BV-4SCRK400	BV-4SSRK400	BV-4SURK400

Repair Kit contains:

- (2) body seals
- (2) O-rings
- (1) thrust washer
- (3) stem packings

4-Way Ball Valve Flow Options



Ball Valve Automation

Manual Ball Valves with Limit Switch

Dixon Hygienic offers remote indication on manual valve.

This allows an operator to see valve position from a central panel in the plant, saving labour costs.

Features and Benefits

- Signal back equipment can be provided for information on open / close positions, intermediate and proportional feedback
- Position detection can be determined using mechanical switches, proximity switches, or 4-20 mA signal transmission in NEMA 4 or NEMA 7 enclosures.



Bradford™ manual ball valve pictured with remote indication. **BV2CV-150CC-LB** Remote indication is also available on butterfly valves.

Multi-port Hygienic Ball Valves with Actuator

M



Bradford™ automated 1½" 3-way 'L'-port encapsulated hygienic ball valve with double acting actuator and NEMA 4 limit switch with two SPDT mechanical switches and NEMA 4 115 VAC solenoid pictured. **BV3SVLF150CBXC**.



Bradford™ automated ½" 3-way 'L'-port encapsulated hygienic ball valve with double acting actuator and NEMA 4 limit switch with two SPDT mechanical switches and NEMA 4 115 VAC solenoid pictured. **BV3SVLF050CBXC**.

3 piece Stainless Steel Hygienic Ball Valves

Dixon Hygienic offers various configurations of automated hygienic 2-way ball valves. Call for price and delivery of different options.



Bradford™ automated 1/2" encapsulated 2-way ball valve butt-welded ends, spring return actuator, and NEMA 7 (explosion proof) SPDT limit switch with two proximity switches and NEMA 7 NAMUR mount 24VDC voltage solenoid valve pictured. **BV2CV-050BB-FPC**.



Bradford™ automated 3" encapsulated ball valve with direct mount double acting, (normally open), actuator and NEMA 7 (explosion proof with 2 mechanical switches) SPDT limit switch pictured. **BV2CV-300CC-QAC**.



Bradford™ automated 2 1/2" 2-way encapsulated ball valve with spring return fail close actuator and NEMA 4/4X limit switch with two SPDT mechanical switches pictured. **BV2CV-250CC-BFC**.

M