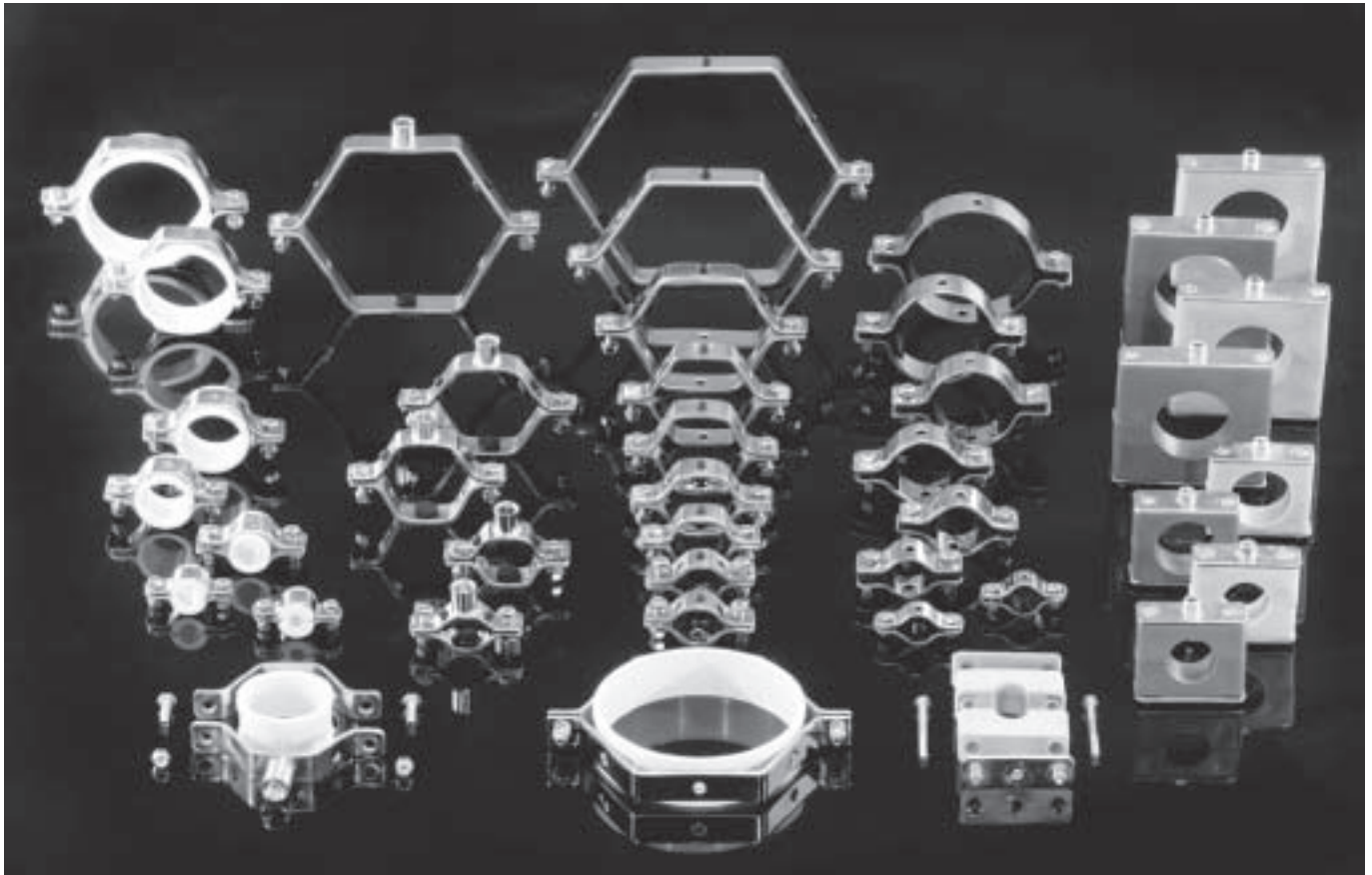


## Tube Hangers

Unlike some competitors' hangers, Dixon Hygienic quality tube hangers are highly polished, with all sharp edges removed. In addition to quality, the Bradford™ name stands for hanger selection for tubing from ½" - 8". Whatever the application, we have a style to fit the need at a price that doesn't leave you hanging out to dry.

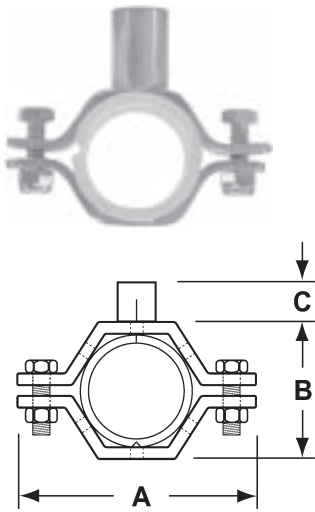
The Dixon Hygienic line includes the following hanger styles:

- Hex tube hangers for added flexibility in temperature variations
- Round tube hangers to resist movement and vibration
- Block tube style for added flexibility and FDA application



## Support Recommendations

- Lines are not to be rigidly anchored to equipment. Lines must be allowed to float. Temperatures cause expansion and contraction and if mounted incorrectly will cause distortion and possibly leakage.
- Proper Installation:
  - Straight sections need support every 10 feet / 3 metres
  - Each side of every valve (as close as possible to the connection) needs support
  - Support at each change of direction

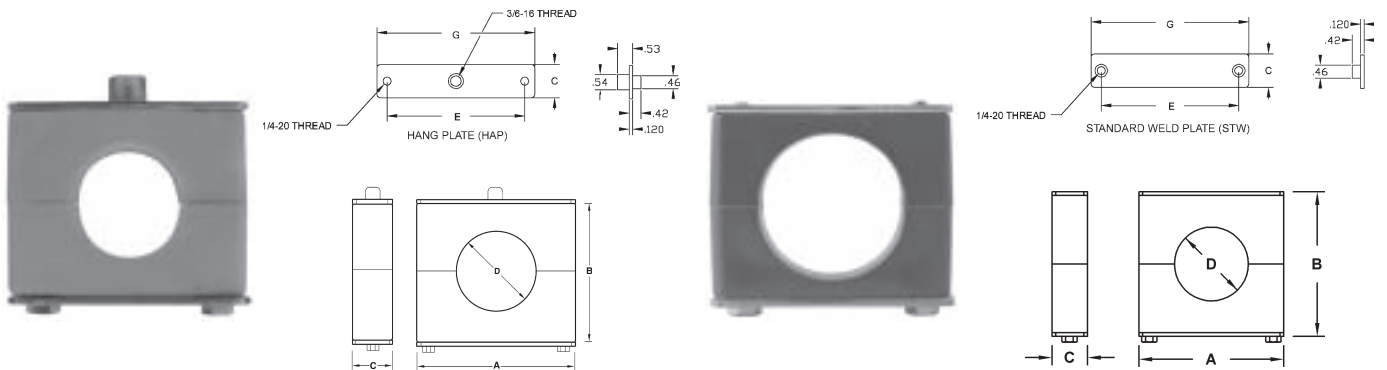


| HEX WITH SLEEVES AND COUPLER - B24PSC |           |            |        |       |
|---------------------------------------|-----------|------------|--------|-------|
| PART NO.                              | TUBE O.D. | DIMENSIONS |        |       |
|                                       |           | A          | B      | C     |
| B24PSC-G50                            | 1/2"      | 71.12      | 29.21  | 19.05 |
| B24PSC-G75                            | 3/4"      | 71.12      | 29.21  | 19.05 |
| B24PSC-G100                           | 1"        | 87.00      | 36.83  | 19.05 |
| B24PSC-G150                           | 1 1/2"    | 101.60     | 53.98  | 19.05 |
| B24PSC-G200                           | 2"        | 114.30     | 63.50  | 19.05 |
| B24PSC-G250                           | 2 1/2"    | 120.65     | 79.38  | 19.05 |
| B24PSC-G300                           | 3"        | 139.70     | 603.25 | 19.05 |
| B24PSC-G400                           | 4"        | 171.45     | 120.65 | 19.05 |
| B24PSC-G600                           | 6"        | 234.95     | 168.28 | 19.05 |
| B24PSC-G800                           | 8"        | 292.10     | 219.08 | 19.05 |

- ABS sleeve maximum temperature: 230°F / 110°C
- Coupler thread options:
  - Standard - 3/8 NPT
  - Special - all thread
- 3/8-16 (part #B24PSC16-G\*\*\*)
- 1/2 - 13 (part # B24PSC13-G\*\*\*)



## BLOCK STYLE TUBE HANGERS - B24



| HANG PLATE DESIGN |            |        |       |        |        |        |        | WELD PLATE DESIGN               |                                          |                              |                                       |
|-------------------|------------|--------|-------|--------|--------|--------|--------|---------------------------------|------------------------------------------|------------------------------|---------------------------------------|
| TUBE O.D.         | DIMENSIONS |        |       |        |        |        |        | HANG PLATE Polypropylene Number | STANDARD WELD PLATE Polypropylene Number | HANG PLATE Santoprene Number | STANDARD WELD PLATE Santoprene Number |
|                   | A          | B      | C     | D      | E      | F      | G      |                                 |                                          |                              |                                       |
| 1/2"              | 47.75      | 35.05  | 30.23 | 33.02  | 52.32  | 50.29  | 88.90  | B24PPHAP-G50                    | B24PPSTW-G50                             | B24SPHAP-G50                 | B24SPSTW-G50                          |
| 3/4"              | 47.75      | 35.05  | 30.23 | 33.02  | 52.32  | 50.29  | 88.90  | B24PPHAP-G75                    | B24PPSTW-G75                             | B24SPHAP-G75                 | B24SPSTW-G75                          |
| 1"                | 84.84      | 66.80  | 30.23 | 66.04  | 85.60  | 88.14  | 123.95 | B24PPHAP-G100                   | B24PPSTW-G100                            | B24SPHAP-G100                | B24SPSTW-G100                         |
| 1 1/2"            | 84.84      | 66.80  | 30.23 | 66.04  | 85.60  | 88.14  | 123.95 | B24PPHAP-G150                   | B24PPSTW-G150                            | B24SPHAP-G150                | B24SPSTW-G150                         |
| 2"                | 84.84      | 66.80  | 30.23 | 66.04  | 85.60  | 88.14  | 123.95 | B24PPHAP-G200                   | B24PPSTW-G200                            | B24SPHAP-G200                | B24SPSTW-G200                         |
| 2 1/2"            | 127.00     | 111.25 | 30.23 | 107.95 | 127.76 | 139.70 | 165.10 | B24PPHAP-G250                   | B24PPSTW-G250                            | B24SPHAP-G250                | B24SPSTW-G250                         |
| 3"                | 127.00     | 111.25 | 30.23 | 107.95 | 127.76 | 139.70 | 165.10 | B24PPHAP-G300                   | B24PPSTW-G300                            | B24SPHAP-G300                | B24SPSTW-G300                         |
| 4"                | 146.56     | 121.92 | 30.23 | 125.73 | 146.56 | 146.05 | 165.10 | B24PPHAP-G400                   | B24PPSTW-G400                            | B24SPHAP-G400                | B24SPSTW-G400                         |

- Santoprene - FDA approved material, maximum temperature 302°F (SP) / 150°C
- Polypropylene - maximum temperature 212°F (PP) / 100°C

Note: see ordering instructions on page X.

