



# Features and Benefits



DDC300SS

## When your product is:

- Expensive
- Expensive to clean up
- Expensive to reprocess or dispose
- Hazardous to workers or the environment
- Prone to accidental spillage and product loss

Dry disconnect couplings are designed for quick and spill free connection and disconnection of hoses and pipelines. They are used by producers of ink, adhesives, fatty acids, pharmaceuticals, liquid soaps, petroleum, chemicals, agricultural and a wide variety of common caustic and specialty acids.

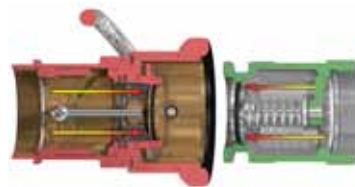
- **Easy to handle** -  
push and turn - free flow, turn and pull - closed
- **Time saving** -  
no need to drain hoses or pipe systems
- **Economical** -  
no loss or spillage of liquids at connection or disconnection
- **Safety** -  
the valve cannot be opened until the unit is coupled
- **Environment friendly** -  
accidental spillage eliminated
- **Safe and reliable** -  
due to rugged construction
- **Product life** -  
high quality materials ensure longer product life

- **Selectivity** -  
To avoid product contamination caused by connecting a coupler to the wrong adapter, selective versions of the adapters are available. Contact the factory for further information.
- **Working Pressure** -  
aluminum                   **260 PSI**  
brass/gunmetal       **360 PSI**  
stainless steel       **360 PSI**
- **Optional seals** -  
EPDM  
NBR - nitrile  
Kalrez®  
Chemraz®  
Perlast®
- **Seal kits are available - please page 13 - 19**

*Interchanges with Avery Hardoll and Todo-matic®*

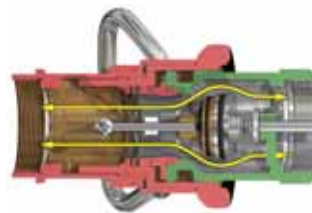
## How it works

*The principle of operation is identical for all sizes of couplings.*



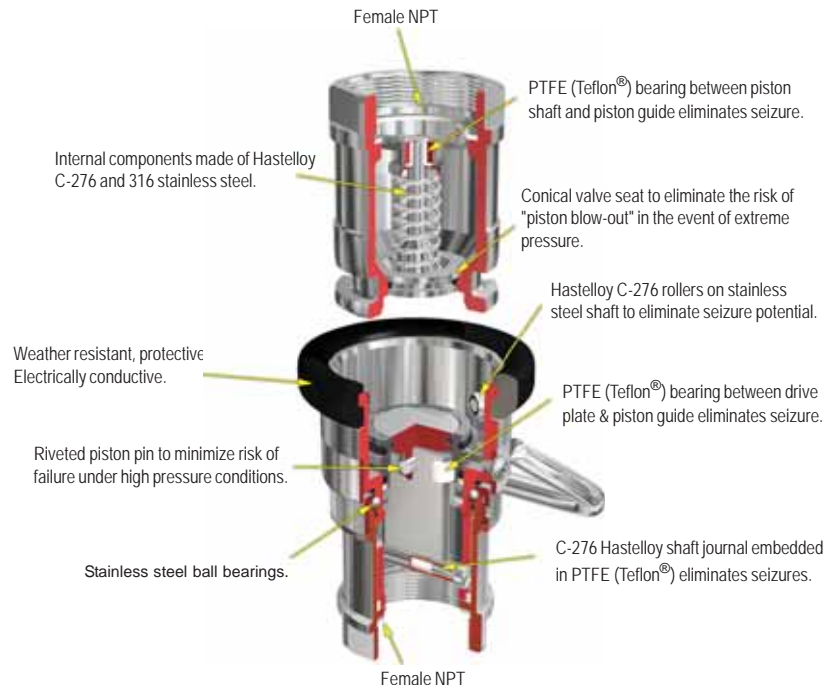
### Closed:

- Turn and pull  
it's released - *no spillage*



### Open:

- Push and turn  
it's coupled - *full flow*



## Dry Quick Disconnect Couplers

### (Hose Unit)

- Coupler has built-in swivel
- Stainless steel ball bearings
- Shaft journal in stainless steel embedded in PTFE (Teflon®) to eliminate seizure
- Riveted piston pin to minimize the risk for failure under extreme pressure conditions
- Electrically conductive, weather resistant protective ring
- All wetted parts are *stainless steel*
- Rollers for the *stainless steel* units are hastelloy C276 on the stainless steel shaft
- Rollers for the *aluminum* and *brass* units are aluminum-bronze on the stainless steel shaft
- Plugs in composite (Polyeten PE-HD 300) provide very good protection against corrosion, and withstand both hot and cold environments

### Dry Quick Disconnect Couplers x Female NPT with Viton® seals



Female NPT	Body Size	316 Stainless Steel Part #	Anodized Aluminum Part #	Brass / Gunmetal Part #
3/4"	56 mm	DDC075SS	DDC075AL	DDC075BR
1"	56 mm	DDC100SS	DDC100AL	DDC100BR
1 1/2"	70 mm	DDC150SS	DDC150AL	DDC150BR
2"	70 mm	DDC200SS	DDC200AL	DDC200BR
3"	105 mm	DDC300SS105	DDC300AL105	DDC300GM105
3"	119 mm	DDC300SS	DDC300AL	DDC300GM
4"	164 mm	DDC400SS	DDC400AL	DDC400GM
6"	238 mm	DDC600SS	DDC600AL	---

### Composite Dust Plugs for Couplers

Size	Body Size	Part #
3/4" and 1"	56 mm	DDDP075
1 1/2" and 2"	70 mm	DDDP150
3"	105 mm	DDDP300105
3"	119 mm	DDDP300
4"	164 mm	DDDP400
6"	238 mm	DDDP600 *

\* 6" dust plug is aluminum



## Dry Quick Disconnect Adapters (Tank Unit)

- The adapter is usually installed on the tank or manifold
- Available in female NPT or 150# ASA, TTMA or DIN flange
- Conical valve seat to eliminate the risk for "piston blow out"
- PTFE (Teflon®) bearing between the piston shaft and the piston guide eliminates the risk for seizure
- Caps in composite (Polyeten PE-HD 300) provide very good protection against corrosion, and withstand both hot and cold environments

### Construction:

- *Aluminum* adapter - aluminum poppet, stainless steel internal parts
- *Stainless steel* adapter - stainless steel poppet, stainless steel internal parts
- *Brass / gunmetal* adapter - brass poppet, brass and stainless steel internal parts

### Dry Quick Disconnect Adapters x Female NPT with Viton® seals



Female NPT	Body Size	316 Stainless Steel Part #	Anodized Aluminum Part #	Brass / Gunmetal Part #
¾"	56 mm	DDA075SS	DDA075AL	DDA075BR
1"	56 mm	DDA100SS	DDA100AL	DDA100BR
1½"	70 mm	DDA150SS	DDA150AL	DDA150BR
2"	70 mm	DDA200SS	DDA200AL	DDA200BR
3"	105 mm	DDA300SS105	DDA300AL105	DDA300GM105
3"	119 mm	DDA300SS	DDA300AL	DDA300GM
4"	164 mm	DDA400SS	DDA400AL	DDA400GM
6"	238 mm	DDA600SS	DDA600AL	---

*Also available with non projecting piston*

### Dry Quick Disconnect Adapters x 150# ASA Flange with Viton® seals



150# Flange	Body Size	316 Stainless Steel Part #	Anodized Aluminum Part #	Brass / Gunmetal Part #
¾"	56 mm	DDA075SSFL	---	---
1"	56 mm	DDA100SSFL	DDA100ALFL	DDA100BRFL
1½"	70 mm	DDA150SSFL	DDA150ALFL	DDA150BRFL
2"	70 mm	DDA200SSFL	DDA200ALFL	DDA200BRFL
3"	105 mm	DDA300SS105FL	DDA300AL105FL	DDA300GM105FL
3"	119 mm	DDA300SSFL	DDA300ALFL	DDA300GMFL
4"	164 mm	DDA400SSFL	DDA400ALFL	DDA400GMFL
6"	238 mm	DDA600SSFL	DDA600ALFL	---

*Also available with non projecting piston*

### Dry Quick Disconnect Adapter x TTMA Flange with Viton® seals



TTMA Flange	Body Size	Anodized Aluminum Part #
3"	105 mm	DDA300AL105TTMA
3"	119 mm	DDA300AL119TTMA
4"	164 mm	DDA400AL164TTMA

*Also available with non projecting piston*

### Composite Dust Caps for Adapters



Size	Body Size	Part #
¾" and 1"	56 mm	DDDC075
1½" and 2"	70 mm	DDDC150
3"	105 mm	DDDC300105
3"	119 mm	DDDC300
4"	164 mm	DDDC400
6"	238 mm	DDDC600 *

\* 6" dust cap is aluminum

### Rubber Dust Cap for Adapters



Size	Body Size	Part #
1"	56 mm	DGDC100
2"	71 mm	DGDC200

## Dry Gas Couplings

Dry gas couplings are designed for safe loading and discharge of bobtails or intermediate bulk delivery trucks. They are quick and easy to connect and can be connected to a tank unit with pressures up to 360 PSI. If the pressure is higher you can equip the couplings with a pressure relief valve. The easy to connect pressure relief valve dissipates trapped fluid pressure into the hose coupler without spillage. The primary application of dry gas couplings is in the handling of LPG - Propane and Butane.

- Safe handling of LPG
- Easy to use and saves time
- Reliable and easy to maintain
- Can be coupled against higher pressure
- Minimizes the risk of cold burns
- Minimizes spillage and product loss
- Minimizes health risks
- Keeps the environment free of hazardous vapors and liquids
- Compatible with existing dry disconnect couplings

**Technical Information:**

- Stainless steel and brass / gunmetal
- NBR90 seals
- Female NPT and ASA flanges
- **360 PSI** working pressure
- Caps and plugs in composite (Polyeten PE-HD 300) provide very good protection against corrosion, and withstand both hot and cold environments

### Dry Gas Couplers x Female NPT with NBR90 seals (Hose Unit)

Female NPT	Body Size	<i>Stainless Steel</i> <b>Part #</b>
1"	56 mm	<b>DGC100SS</b>
2"	71 mm	<b>DGC200SS</b>



### Dry Gas Adapters x Female NPT with NBR90 seals (Tank Unit)

Female NPT	Body Size	<i>Stainless Steel</i> <b>Part #</b>
1"	56 mm	<b>DGA100SS</b>
2"	71 mm	<b>DGA200SS</b>



### Dry Gas Adapters x 150# ASA Flange with NBR90 seals

150# Flange	Body Size	<i>Stainless Steel</i> <b>Part #</b>
1"	56 mm	<b>DGA100SSFL</b>
2"	71 mm	<b>DGA200SSFL</b>



### Rubber Dust Cap for Adapters



Size	Body Size	<b>Part #</b>
1"	56 mm	<b>DGDC100</b>
2"	71 mm	<b>DGDC200</b>

### Composite Dust Plug for Couplers



Size	Body Size	<b>Part #</b>
1"	56 mm	<b>DGDP100</b>
2"	71 mm	<b>DGDP200</b>

# Dry Aviation Couplings

Dry aviation couplings are designed for use in aviation and military refueling systems. Manufactured to accept the international standard 2½" point bayonet, hose end refueling nozzles according to: ISO45 / MS24484 / STANAG 3105 / British Aerospace Spec. 2C14. **They are not configured for under-wing refueling.**

### Technical Information:

- Body: high strength aluminum
- Coupling ring: gunmetal
- Bayonet flange and inner parts: stainless steel, aluminum
- All wetted parts are aluminum and stainless steel
- **150 PSI** working pressure
- Caps and plugs in composite (Polyeten PE-HD 300) provide a very good protection against corrosion, and withstand both hot and cold environments

## Aviation Couplers (Hose Unit)



female NPT x coupler

### Couplers:

- High strength aluminum body
- All wetted parts are aluminum and stainless steel
- Electrically conductive, weather resistant rubber protective ring
- Stainless steel ball bearings
- Gunmetal coupling ring minimizes the risk of seizure
- Stainless steel shaft journal embedded in PTFE(Teflon®) to eliminate seizure
- PTFE (Teflon®) bearings between the driving plate and the piston guide eliminate the risk of seizure
- Riveted piston pin minimizes the risk of failure under extreme pressure conditions

### Aviation Couplers x Female NPT with Viton® seals

Female NPT	Body Size	Aluminum Part #
2½"	ISO 45	<b>DAC250AL</b>
3"	ISO 45	<b>DAC300AL</b>

### Aviation Couplers x Female BSP with Viton® seals

Female BSP	Body Size	Aluminum Part #
2½"	ISO 45	<b>DAC250ALBSP</b>
3"	ISO 45	<b>DAC300ALBSP</b>

## Aviation Adapters (Tank Unit)



150# ASA flange x adapter



female NPT x adapter

### Adapters:

- High strength aluminum body
- Inner parts are stainless steel
- PTFE (Teflon®) bearings between the piston shaft and the piston guide eliminate the risk of seizure
- Conical valve seat eliminates the risk of "piston blow out" when extreme pressure is used

### Aviation Adapters x Female NPT with Viton® seals

Female NPT	Body Size	Aluminum Part #
2½"	ISO 45	<b>DAA250AL</b>
3"	ISO 45	<b>DAA300AL</b>

### Aviation Adapters x 150# ASA Flange with Viton® seals

150# Flange	Body Size	Aluminum Part #
2½"	ISO 45	<b>DAA250ALFL</b>
3"	ISO 45	<b>DAA300ALFL</b>

Also available with 4" TTMA flange

## Aviation Aluminum Sight Flow Indicator with Filter / Screen



- Sight flow indicator with male BSP thread screws into aviation coupler with female BSP thread
- Filter / screen can be inspected through the sight glass and is easily removed if cleaning is required
- Screen is 100 mesh

Female Thread	Male Thread	Part #
2½" NPT	2½" BSP	<b>ASFI25T25B</b>
3" NPT	3" BSP	<b>ASFI30T30B</b>
2½" NPT	2½" NPT	<b>ASFI25T25T</b>
3" NPT	3" NPT	<b>ASFI30T30T</b>

## Composite Dust Cap for Adapters

Size	Body Size	Part #
2½"	ISO 45	<b>DADC250</b>



## Composite Dust Plug for Couplers

Size	Body Size	Part #
2½"	ISO 45	<b>DADP250</b>



## Cam and Groove Style Dry Disconnect Couplings

Compatible with most cam and groove style dry disconnects. The Bayco dry disconnect helps prevent spillage from normal or accidental disconnects. It has a spring loaded sealing device designed to "snap" closed should the valve become disconnected with the poppet open, significantly limiting liquid loss.

Our dry disconnect couplings are available in a wide range of sizes, metals, and seal materials. Contact the factory at 800-355-1991 for chemical compatibility, size, and material selection. Special configurations can be designed for your application.

### Cam and Groove Style Dry Disconnect Adapters

- Two-piece adapter design for easy rebuilding of adapters
- Fully interchangeable with Kamvalok (OPW trademark) style fittings
- Aluminum fittings have aluminum nose piece and brass piston
- For pressure ratings at other temperatures, contact the factory
- Chemraz® gasket, main seal O-ring. Teflon® seals on cylinder assembly, stuffing box, and seal under poppet screw.
- All products contain stainless steel internals.



1½" - 2" adapter



3" adapter



2" x 3" adapter

#### Aluminum Adapters

#### Stainless Steel Adapters<sup>1</sup>

Female NPT	Dixon Part #	OPW Part #	Dixon Part #	OPW Part #	Maximum PSI @ 70°	Seal Type
1½"	<b>DBA11-150</b>	1611AN-AL15	<b>DBA71-150</b>	1671AN-SS15	210	Buna
2"	<b>DBA11-200</b>	1611AN-AL20	<b>DBA71-200</b>	1671AN-SS20	150	Buna
3"	<b>DBA11-300</b>	1611AN-AL30	---	---	120	Buna
1½"	<b>DBA12-150</b>	1612AN-AL15	<b>DBA72-150</b>	1672AN-SS15	210	Viton®
2"	<b>DBA12-200</b>	1612AN-AL20	<b>DBA72-200</b>	1672AN-SS20	150	Viton®
3"	<b>DBA12-300</b>	1612AN-AL30	---	---	120	Viton®
2"	<b>DBA61-200</b>	1611AN-AL20	---	---	150	Buna
2"	<b>DBA62-200</b>	1612AN-AL20	---	---	150	Viton®
1½"	<b>DBA63-150</b>	1613AN-AL15	<b>DBA73-150</b>	1673AN-SS15	210	Teflon® Encapsulated Silicone
2"	<b>DBA63-200</b>	1613AN-AL20	<b>DBA73-200</b>	1673AN-SS20	150	Teflon® Encapsulated Silicone
3"	<b>DBA63-300</b>	1613AN-AL30	---	---	120	Teflon® Encapsulated Silicone
1½"	<b>DBA64-150</b>	1614AN-AL15	<b>DBA74-150</b>	1674AN-SS15	210	EPT
2"	<b>DBA64-200</b>	1614AN-AL20	<b>DBA74-200</b>	1674AN-SS20	150	EPT
3"	<b>DBA64-300</b>	1614AN-AL30	---	---	120	EPT
1½"	<b>DBA66-150</b>	1616AN-AL15	<b>DBA76-150</b>	1676AN-SS15	210	Chemraz®
2"	<b>DBA66-200</b>	1616AN-AL20	<b>DBA76-200</b>	1676AN-SS20	150	Chemraz®
3"	<b>DBA66-300</b>	1616AN-AL30	---	---	120	Chemraz®
1½"	---	---	<b>DBA77-150</b>	1677AN-SS15	---	Teflon® Encapsulated Viton®
2"	---	---	<b>DBA77-200</b>	1677AN-SS20	---	Teflon® Encapsulated Viton®
3"	<b>DBA69-300</b>	1616AN-AL30	---	---	120	Teflon® Encapsulated Viton®
1½" x 2"	<b>DBA11-1520</b>	---	---	---	210	Buna
1½" x 2"	<b>DBA12-1520</b>	---	---	---	210	Viton®
2" x 3"	---	---	<b>DBAV73-2030</b>	2173AVN	---	Teflon®

<sup>1</sup> Stainless steel corrosion resistance is comparable to 304 stainless steel

A DBA style adapter is required for coupler to operate. Coupler sold separately, see page 8.

OPW and Kamvalok are registered trademarks of the Dover Corporation

**Notes:** Contact the factory for chemical compatibility, size and material selection. Special configurations can be designed for your application. Contact the factory for availability.

# Cam and Groove Style Dry Disconnect Couplers

- Dixon EZ Boss-Lock cam arms provide high security from accidental opening due to vibration or snagging
- Heavy duty stainless steel crank and link provide long service life
- Dry disconnect coupler has automatic closing poppet assembly
- Stainless steel handle allows product exposure to corrosive chemicals or washdown service
- Strong handle attachment prevents bending of crank assembly
- Fully interchangeable with Kamvalok (OPW trademark) style fittings
- Aluminum fittings have stainless steel internals
- For pressure ratings at other temperatures, contact the factory
- All products contain stainless steel internals
- Seal cylinder prevents products spill when coupler is disconnected from adapter



3" coupler



2" 90° coupler



1½" - 2" coupler

## Aluminum Couplers    Stainless Steel Couplers

Female NPT	Dixon Part #	OPW Part #	Dixon Part #	OPW Part #	Maximum PSI @ 70°	Seal Material
1½"	DBC61-150	1711D-AL15/1761	DBC71-150	1771D-SS15	210	Buna
2"	DBC61-200	1711D-AL20/1761	DBC71-200	1771D-SS20	150	Buna
3"	DBC61-300	1711D-AL30	---	---	120	Buna
1½"	DBC62-150	1712D-AL15/1762	DBC72-150	1772D-SS15	210	Viton®
2"	DBC62-200	1712D-AL20/1762	DBC72-200	1772D-SS20	150	Viton®
3"	DBC62-300	1712D-AL30	---	---	120	Viton®
1½"	DBC63-150	1763D-AL15	---	---	210	Teflon® Encapsulated Silicone and Kalrez®
2"	DBC63-200	1763D-AL20	---	---	150	Teflon® Encapsulated Silicone and Kalrez®
3"	DBC63-300	1763D-AL30	---	---	120	Teflon® Encapsulated Silicone and Kalrez®
1½"	---	---	DBC73-150	1773D-SS15	210	Teflon® Encapsulated Silicone and Chemraz®
2"	---	---	DBC73-200	1773D-SS20	150	Teflon® Encapsulated Silicone and Chemraz®
1½"	DBC64-150	1764D-AL15	DBC74-150	1774D-SS15	120	EPT
2"	DBC64-200	1764D-AL20	DBC74-200	1774D-SS20	210	EPT
3"	DBC64-300	1764D-AL30	---	---	150	EPT
1½"	---	---	DBC76-150	1776D-SS15	120	Chemraz® and Teflon® <sup>1</sup>
2"	DBC66-200	1766D-AL20	DBC76-200	1776D-SS20	210	Chemraz® and Teflon® <sup>1</sup>
1½"	---	---	DBC77-150	1777D-SS15	150	Teflon® Encapsulated Viton® and Chemraz®
2"	---	---	DBC77-200	1777D-SS20	120	Teflon® Encapsulated Viton® and Chemraz®
3"	DBC69-300	1769D-AL30	---	---	150	Viton® B

### 90° Swivel

2"	DBS61-200	1711ES-0200	---	---	150	Buna
2"	DBS62-200	1712ES-0200	---	---	150	Viton®

### Greaseless

1½"	---	---	DBC77-150-GL	1777D-SS15-GL	210	Teflon® Encapsulated Viton® and Chemraz®
2"	---	---	DBC77-200-GL	1777D-SS20-GL	150	Teflon® Encapsulated Viton® and Chemraz®

<sup>1</sup> Chemraz® gasket, main seal O-ring and handle O-ring. Teflon® seals on cylinder assembly, stuffing box, and seal under poppet screw.

A DBA style adapter is required for coupler to operate. Adapter sold separately, see page 7.

## Locking Kit for Couplers

- Kit is designed for 1½" and 2" dry disconnects
- Prevents unintentional opening of poppet assembly

Part #

DBCL-200



## Bayonet Style Dry Disconnects

Bayonet dry disconnect fittings are guaranteed to be compatible with existing models. These fittings are designed and tested to provide maximum performance.

- Available in stainless steel, black anodized aluminum, and brass
- Smooth coupling action and swivel rotation
- Interchangeable with Emco™ Wheaton 72 and 73 Series



BA32-200



BA31-300



BA62-300

### Stainless Steel Adapters

Size	Dixon Part #	Emco™ Part #	Body	Seal Material
2"	<b>BA31-200</b>	<i>J72A-BBN0-B / J72A-ABN0-B</i>	Stainless Steel	Buna
2"	<b>BA32-200</b>	<i>J72A-BVN0-B / J72A-AVN0-B</i>	Stainless Steel	Viton®
3"	<b>BA31-300</b>	<i>J73A-BBN0-B</i>	Brass	Buna
3"	<b>BA32-300</b>	<i>J73A-BVN0-B</i>	Brass	Viton®
3"	<b>BA61-300</b>	<i>J73A-ABN0-B</i>	Aluminum	Buna
3"	<b>BA62-300</b>	<i>J73A-AVN0-B</i>	Aluminum	Viton®



BS62-200



BSS62-200



BS62-300



BSS62-300

### Aluminum Couplers

Size	Dixon Part #	Emco™ Part #	Seal Material	Style
2"	<b>BS61-200</b>	<i>J72C-ABN2-B</i>	Buna	90° swivel
2"	<b>BS62-200</b>	<i>J72C-AVN2-B</i>	Viton®	90° swivel
2"	<b>BSS61-200</b>	<i>J72C-ABN1B</i>	Buna	straight swivel
2"	<b>BSS62-200</b>	<i>J72C-AVN1-B</i>	Viton®	straight swivel
3"	<b>BS61-300</b>	<i>J73C-ABN2-B</i>	Buna	90° swivel
3"	<b>BS62-300</b>	<i>J73C-AVN2-B</i>	Viton®	90° swivel
3"	<b>BSS61-300</b>	<i>J73C-ABN1-B</i>	Buna	straight swivel
3"	<b>BSS62-300</b>	<i>J73C-ABN1-B</i>	Viton®	straight swivel

Emco™ is a trademark of Gardner Denver Corporation

# Repair Parts for Mann Tek Adapters and Couplers

## ADAPTERS

Part #	Description
56ARKAL	Aluminum repair kit for ¾" - 1" adapter 56mm (DDA075AL & DDA100AL)
70ARKAL	Aluminum repair kit for 1½" - 2" adapter 70mm (DDA150AL & DDA200AL)
105ARKAL	Aluminum repair kit for 3" adapter 105mm (DDA300AL105)
119ARKAL	Aluminum repair kit for 3" adapter 119mm (DDA300AL)
164ARKAL	Aluminum repair kit for 4" adapter 164mm (DDA400AL)
238ARKAL	Aluminum repair kit for 6" adapter 238mm (DDA600AL)
56ARKBR	Brass repair kit for ¾" - 1" adapter 56mm (DDA075BR & DDA100BR)
70ARKBR	Brass repair kit for 1½" - 2" adapter 70mm (DDA150BR & DDA200BR)
105ARKBR	Brass repair kit for 3" adapter 105mm (DDA300GM105)
119ARKBR	Brass repair kit for 3" adapter 119mm (DDA300GM)
164ARKBR	Brass repair kit for 4" adapter 164mm (DDA400GM)
56ARKSS	Stainless repair kit for ¾" - 1" adapter 56mm (DDA075SS & DDA100SS)
70ARKSS	Stainless repair kit for 1½" - 2" adapter 70mm (DDA150SS & DDA200SS)
105ARKSS	Stainless repair kit for 3" adapter 105mm (DDA300SS105)
119ARKSS	Stainless repair kit for 3" adapter 119mm (DDA300SS)
164ARKSS	Stainless repair kit for 4" adapter 164mm (DDA400SS)
238ARKSS	Stainless repair kit for 6" adapter 238mm (DDA600SS)

Kit includes replacement Teflon® bushing, but does not include O-ring and seals

## COUPLERS

Part #	Description
56CRKAL	Aluminum repair kit for ¾" - 1" coupler 56mm (DDC075AL & DDC100AL)
70CRKAL	Aluminum repair kit for 1½" - 2" coupler 70mm (DDC150AL & DDC200AL)
105CRKAL	Aluminum repair kit for 3" coupler 105mm (DDC300AL105)
119CRKAL	Aluminum repair kit for 3" coupler 119mm (DDC300AL)
164CRKAL	Aluminum repair kit for 4" coupler 164mm (DDC400AL)
238CRKAL	Aluminum repair kit for 6" coupler 238mm (DDC600AL)
56CRKBR	Brass repair kit for ¾" - 1" coupler 56mm (DDC075BR & DDC100BR)
70CRKBR	Brass repair kit for 1½" - 2" coupler 70mm (DDC150BR & DDC200BR)
105CRKBR	Brass repair kit for 3" coupler 105mm (DDC300GM105)
119CRKBR	Brass repair kit for 3" coupler 119mm (DDC300GM)
164CRKBR	Brass repair kit for 4" coupler 164mm (DDC400GM)
56CRKSS	Stainless repair kit for ¾" - 1" coupler 56mm (DDC075SS & DDC100SS)
70CRKSS	Stainless repair kit for 1½" - 2" coupler 70mm (DDC150SS & DDC200SS)
105CRKSS	Stainless repair kit for 3" coupler 105mm (DDC300SS105)
119CRKSS	Stainless repair kit for 3" coupler 119mm (DDC300SS)
164CRKSS	Stainless repair kit for 4" coupler 164mm (DDC400SS)
238CRKSS	Stainless repair kit for 6" coupler 238mm (DDA600SS)

Kit includes screw, rollers, shafts, lock nuts, Teflon® tubes, Teflon® bushings, Teflon® rings, but does not include O-ring seals

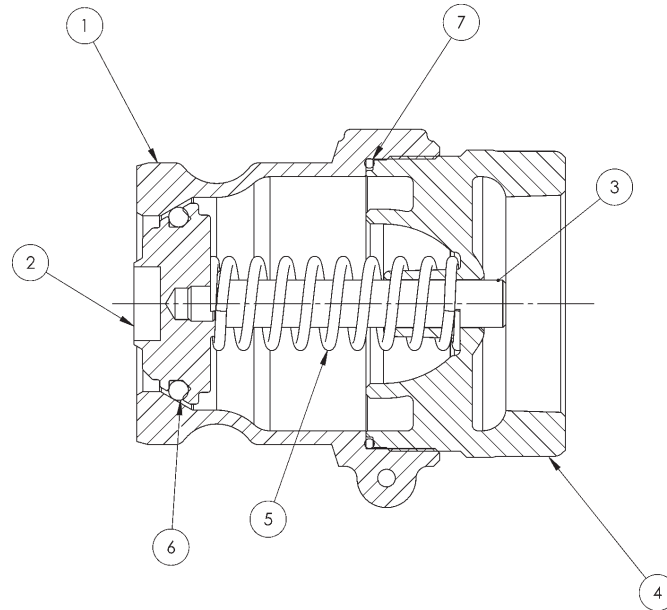
## O-Ring Kits for Mann Tek Adapters

<b>Part #</b>	<b>Description</b>
<b>56AORKVI</b>	Viton® O-ring kit for ¾" - 1" adapter 56mm (DDA075 & DDA100 AL,BR,SS)
<b>70AORKVI</b>	Viton® O-ring kit for 1½" - 2" adapter 70mm (DDA150 & DDA200 AL,BR,SS)
<b>105AORKVI</b>	Viton® O-ring kit for 3" adapter 105mm (DDA300105 AL,BR,SS)
<b>119AORKVI</b>	Viton® O-ring kit for 3" adapter 119mm (DDA300 AL,BR,SS)
<b>164AORKVI</b>	Viton® O-ring kit for 4" adapter 164mm (DDA400 AL,BR,SS)
<b>238AORKVI</b>	Viton® O-ring kit for 6" adapter 238mm (DDA600 AL, SS)
<b>56AORKNI</b>	Nitril® O-ring kit for ¾" - 1" adapter 56mm (DDA075 & DDA100 AL,BR,SS)
<b>70AORKNI</b>	Nitril® O-ring kit for 1½" - 2" adapter 70mm (DDA150 & DDA200 AL,BR,SS)
<b>105AORKNI</b>	Nitril® O-ring kit for 3" adapter 105mm (DDA300105 AL,BR,SS)
<b>119AORKNI</b>	Nitril® O-ring kit for 3" adapter 119mm(DDA300 AL,BR,SS)
<b>164AORKNI</b>	Nitril® O-ring kit for 4" adapter 164mm(DDA400 AL,BR,SS)
<b>238AORKNI</b>	Nitril® O-ring for 6" adapter 238mm (DDA600 AL, SS)
<b>56AORKEP</b>	EPDM O-ring kit for ¾" - 1" adapter 56mm (DDA075 & DDA100 AL,BR,SS)
<b>70AORKEP</b>	EPDM O-ring kit for 1½" - 2" adapter 70mm (DDA150 & DDA200 AL,BR,SS)
<b>105AORKEP</b>	EPDM O-ring kit for 3" adapter 105mm (DDA300105 AL,BR,SS)
<b>119AORKEP</b>	EPDM O-ring kit for 3" adapter 119mm(DDA300 AL,BR,SS)
<b>164AORKEP</b>	EPDM O-ring kit for 4" adapter 164mm(DDA400 AL,BR,SS)
<b>238ORKEP</b>	EPDM O-ring kit for 6" adapter 238mm (DDA600 AL, SS)
<b>56AORKKAL</b>	Kalrez® O-ring kit for ¾" - 1" adapter 56mm (DDA075 & DDA100 AL,BR,SS)
<b>70AORKKAL</b>	Kalrez® O-ring kit for 1½" - 2" adapter 70mm (DDA150 & DDA200 AL,BR,SS)
<b>105AORKKAL</b>	Kalrez® O-ring kit for 3" adapter 105mm (DDA300105 AL,BR,SS)
<b>119AORKKAL</b>	Kalrez® O-ring kit for 3" adapter 119mm(DDA300 AL,BR,SS)
<b>164AORKKAL</b>	Kalrez® O-ring kit for 4" adapter 164mm(DDA400 AL,BR,SS)
<b>238AORKKAL</b>	Kalrez® O-ring kit 6" adapter 238mm (DDA600 AL, SS)
<b>56AORKPER</b>	Perlast® O-ring kit for ¾" - 1" adapter 56mm (DDA075 & DDA100 AL,BR,SS)
<b>70AORKPER</b>	Perlast® O-ring kit for 1½" - 2" adapter 70mm (DDA150 & DDA200 AL,BR,SS)
<b>105AORKPER</b>	Perlast® O-ring kit for 3" adapter 105mm (DDA300105 AL,BR,SS)
<b>119AORKPER</b>	Perlast® O-ring kit for 3" adapter 119mm(DDA300 AL,BR,SS)
<b>164AORKPER</b>	Perlast® O-ring kit for 4" adapter 164mm(DDA400 AL,BR,SS)
<b>238AORKPER</b>	Perlast® O-ring kit for 6" adapter 238mm (DDA600 AL, SS)
<b>56AORKCHM</b>	Chemraz® O-ring kit for ¾" - 1" adapter 56mm (DDA075 & DDA100 AL,BR,SS)
<b>70AORKCHM</b>	Chemraz® O-ring kit for 1½" - 2" adapter 70mm(DDA150 & DDA200 AL,BR,SS)
<b>105AORKCHM</b>	Chemraz® O-ring kit for 3" adapter 105mm (DDA300105 AL,BR,SS)
<b>119AORKCHM</b>	Chemraz® O-ring kit for 3" adapter 119mm(DDA300 AL,BR,SS)
<b>164AORKCHM</b>	Chemraz® O-ring kit for 4" adapter 164mm(DDA400 AL,BR,SS)
<b>238AORKCHM</b>	Chemraz® O-ring kit for 6" adapter 238mm (DDA600 AL, SS)

## O-Ring Kits for Mann Tek Couplers

Part #	Description
<b>56CORKVI</b>	Viton® O-ring kit for ¾" - 1" coupler 56mm (DDC075 & DDC100 AL,BR,SS)
<b>70CORKVI</b>	Viton® O-ring kit for 1½" - 2" coupler 70mm (DDC150 & DDC200 AL,BR,SS)
<b>105CORKVI</b>	Viton® O-ring kit for 3" coupler 105mm (DDC300105 AL,BR,SS)
<b>119CORKVI</b>	Viton® O-ring kit for 3" coupler 119mm (DDC300 AL,BR,SS)
<b>164CORKVI</b>	Viton® O-ring kit for 4" coupler 164mm (DDC400 AL,BR,SS)
<b>238CORKVI</b>	Viton® O-ring kit for 6" coupler 238mm (DDC600 AL, SS)
<b>56CORKNI</b>	Nitril® O-ring kit for ¾" - 1" coupler 56mm (DDC075 & DDC100 AL,BR,SS)
<b>70CORKNI</b>	Nitril® O-ring kit for 1½" - 2" coupler 70mm (DDC150 & DDC200 AL,BR,SS)
<b>105CORKNI</b>	Nitril® O-ring kit for 3" coupler 105mm (DDC300105 AL,BR,SS)
<b>119CORKNI</b>	Nitril® O-ring kit for 3" coupler 119mm (DDC300 AL,BR,SS)
<b>164CORKNI</b>	Nitril® O-ring kit for 4" coupler 164mm (DDC400 AL,BR,SS)
<b>238CORKNI</b>	Nitril® O-ring kit for 4" coupler 238mm (DDC600 AL, SS)
<b>56CORKEP</b>	EPDM O-ring kit for ¾" - 1" coupler 56mm (DDC075 & DDC100 AL,BR,SS)
<b>70CORKEP</b>	EPDM O-ring kit for 1½" - 2" coupler 70mm (DDC150 & DDC200 AL,BR,SS)
<b>105CORKEP</b>	EPDM O-ring kit for 3" coupler 105mm (DDC300105 AL,BR,SS)
<b>119CORKEP</b>	EPDM O-ring kit for 3" coupler 119mm (DDC300 AL,BR,SS)
<b>164CORKEP</b>	EPDM O-ring kit for 4" coupler 164mm (DDC400 AL,BR,SS)
<b>238CORKEP</b>	EPDM O-ring kit for 4" coupler 238mm (DDC600 AL, SS)
<b>56CORKKAL</b>	Kalrez® O-ring kit for ¾" - 1" coupler 56mm (DDC075 & DDC100 AL,BR,SS)
<b>70CORKKAL</b>	Kalrez® O-ring kit for 1½" - 2" coupler 70mm (DDC150 & DDC200 AL,BR,SS)
<b>105CORKKAL</b>	Kalrez® O-ring kit for 3" coupler 105mm (DDC300105 AL,BR,SS)
<b>119CORKKAL</b>	Kalrez® O-ring kit for 3" coupler 119mm (DDC300 AL,BR,SS)
<b>164CORKKAL</b>	Kalrez® O-ring kit for 4" coupler 164mm (DDC400 AL,BR,SS)
<b>238CORKAL</b>	Kalrez® O-ring kit 6" coupler 238mm(DDC600 AL, SS)
<b>56CORKPER</b>	Perlast® O-ring kit for ¾" - 1" coupler 56mm (DDC075 & DDC100 AL,BR,SS)
<b>70CORKPER</b>	Perlast® O-ring kit for 1½" - 2" coupler 70mm (DDC150 & DDC200 AL,BR,SS)
<b>105CORKPER</b>	Perlast® O-ring kit for 3" coupler 105mm (DDC300105 AL,BR,SS)
<b>119CORKPER</b>	Perlast® O-ring kit for 3" coupler 119mm (DDC300 AL,BR,SS)
<b>164CORKPER</b>	Perlast® O-ring kit for 4" coupler 164mm (DDC400 AL,BR,SS)
<b>238CORKPER</b>	Perlast® O-ring kit for 6" coupler 238mm (DDC600 AL, SS)
<b>56CORKCHM</b>	Chemraz® O-ring kit for ¾" - 1" coupler 56mm (DDC075 & DDC100 AL,BR,SS)
<b>70CORKCHM</b>	Chemraz® O-ring kit for 1½" - 2" coupler 70mm (DDC150 & DDC200 AL,BR,SS)
<b>105CORKCHM</b>	Chemraz® O-ring kit for 3" coupler 105mm (DDC300105 AL,BR,SS)
<b>119CORKCHM</b>	Chemraz® O-ring kit for 3" coupler 119mm (DDC300 AL,BR,SS)
<b>164CORKCHM</b>	Chemraz® O-ring kit for 4" coupler 164mm (DDC400 AL,BR,SS)
<b>238CORKCHM</b>	Chemraz® O-ring 6" coupler 238mm (DDC600 AL, SS)

## Dry Disconnect Cam & Groove Style Adapters



### Bill of Materials

Item #	Description	Qty
1	adapter end	1
2	poppet	1
3	stem	1
4	pipe end	1
5	spring	1
6	O-ring	1
7	O-ring	1

### Buna Seal Kits

Part #	Description	Includes Item #s
<b>DBAK1-150</b>	Buna seal kit	6, 7
<b>DBAK1-200</b>	Buna seal kit	6, 7
<b>DBAK1-300</b>	Buna seal kit	6, 7

### Viton® Seal Kits

Part #	Description	Includes Item #s
<b>DBAK2-150</b>	Viton® seal kit	6, 7
<b>DBAK2-200</b>	Viton® seal kit	6, 7
<b>DBAK2-300</b>	Viton® seal kit	6, 7

### Teflon®/Silicone Kits

Part #	Description	Includes Item #s
<b>DBAK3-150</b>	Teflon®/Silicone seal kit	6, 7
<b>DBAK3-200</b>	Teflon®/Silicone seal kit	6, 7
<b>DBAK3-300</b>	Teflon®/Silicone seal kit	6, 7

### Chemraz® Kits

Part #	Description	Includes Item #s
<b>DBAK6-150</b>	Chemraz® seal kit	6, 7
<b>DBAK6-200</b>	Chemraz® seal kit	6, 7
<b>DBAK6-300</b>	Chemraz® seal kit	6, 7

### Teflon®/Viton® Kits

Part #	Description	Includes Item #s
<b>DBAK7-150</b>	Teflon®/Viton® seal kit	6, 7
<b>DBAK7-200*</b>	Teflon®/Viton® seal kit	6, 7
<b>DBAK7-300</b>	Teflon®/Viton® seal kit	6, 7

\* - Kit is incompatible with 2" Aluminum and Zinc adapters

### Viton B® Kits

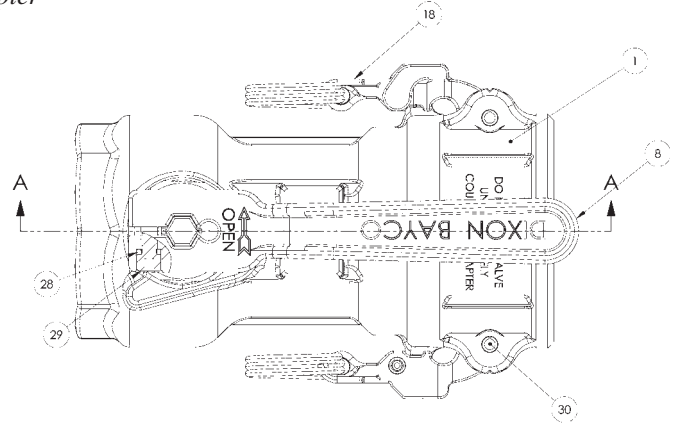
Part #	Description	Includes Item #s
<b>DBAK9-300</b>	Viton B® seal kit	6, 7

### EPDM Kits

Part #	Description	Includes Item #s
<b>DBAK4-150</b>	EPDM seal kit	6, 7
<b>DBAK4-200</b>	EPDM seal kit	6, 7
<b>DBAK4-300</b>	EPDM seal kit	6, 7

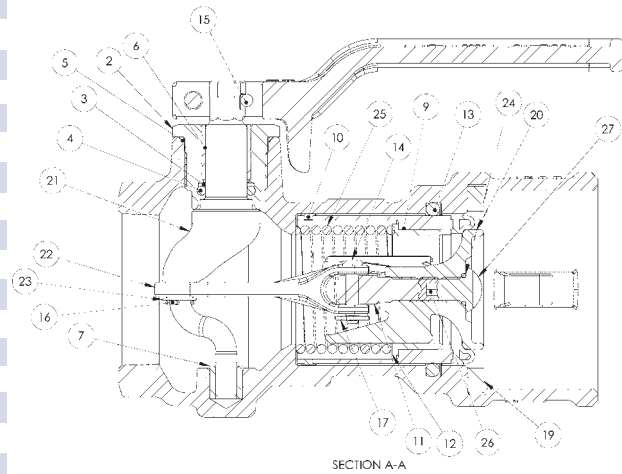
# Dry Disconnect Cam and Groove Style Couplers

## 2" Coupler

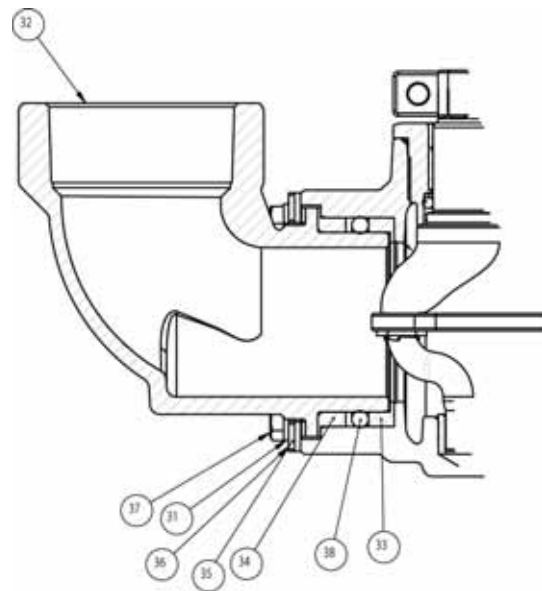


### Bill of Materials

Item #	Description	Qty
1	body	1
2	stuffing box	1
3	backup ring	1
4	O-ring	1
5	O-ring	1
6	bearing	1
7	bearing - crank shaft	1
8	lever	1
9	seal cylinder	1
10	button	6
11	yoke	1
12	bushing	1
13	O-Ring	1
14	link rivet	1
15	groove pin	1
16	cotter pin	1
17	cotter pin	1
18	EZ Boss-Lock handle	2
19	gasket	1
20	poppet	1
21	crank shaft	1
22	link - investment cast	1
23	washer	1
24	O-ring	1
25	spring	1
26	set screw	1
27	screw-round head	1
28	lockwasher	1
29	screw	1
30	spring pin	2
31	lock washer	4
32	elbow body	1
33	bottom bearing	1
34	top bearing	1
35	washer	4
36	flange retainer	4
37	screw	4
38	swivel o-ring	1
39	Teflon® nose seal	1



DBC62-200 shown in illustration



DBS61-200 half shown in illustration

## Dry Disconnect Cam & Groove Style Kits

- Specify seal material and coupling material when ordering kits.
- *seal material:* Buna-N, Viton®, or Teflon® & Chemraz®
- *coupling material:* aluminum or stainless steel

### Seal Cylinder Kits

Part #	Description	Includes Item #s
DBC61-150RK2	Aluminum and Buna	9, 10, 12
DBC61-200RK2	Aluminum and Buna	9, 10, 12
DBC62-150RK2	Aluminum and Viton®	9, 10, 12
DBC62-200RK2	Aluminum and Viton®	9, 10, 12
DBC64-150RK2	EPDM	9, 10, 12
DBC64-200RK2	EPDM	9, 10, 12
DBC71-150RK2	Stainless Steel and Buna	9, 10, 12
DBC71-200RK2	Stainless Steel and Buna	9, 10, 12
DBC72-150RK2	Stainless Steel and Viton®	9, 10, 12
DBC72-200RK2	Stainless Steel and Viton®	9, 10, 12
DBC74-150RK2	EPDM	9, 10, 12
DBC74-200RK2	EPDM	9, 10, 12
DBCX3-150RK2	Teflon®	10, 12, 39
DBCX3-200RK2	Teflon®	10, 12, 39

### Seal Kits

Part #	Description	Includes Item #s
DBCX1-150RK1	Buna seal kit	4, 5, 13, 19, 24
DBCX1-200RK1	Buna seal kit	4, 5, 13, 19, 24
DBCX2-150RK1	Viton® seal kit	4, 5, 13, 19, 24
DBCX2-200RK1	Viton® seal kit	4, 5, 13, 19, 24
DBCX3-150RK1	Teflon® and Chemraz®	4, 5, 13, 19, 24
DBCX3-200RK1	Teflon® and Chemraz®	4, 5, 13, 19, 24
DBCX4-150RK1	EPDM	4, 5, 13, 19, 24
DBCX4-200RK1	EPDM	4, 5, 13, 19, 24
DBCX6-150RK1	Chemraz® and Teflon®/Viton®	4, 5, 13, 19, 24
DBCX6-200RK1	Chemraz® and Teflon®/Viton®	4, 5, 13, 19, 24
DBCX7-150RK1	Chemraz® and Teflon®/Viton®	4, 5, 13, 19, 24
DBCX7-200RK1	Chemraz® and Teflon®/Viton®	4, 5, 13, 19, 24
DBS61-200RK1	Buna	4, 5, 13, 19, 24, 38
DBS62-200RK1	Viton®	4, 5, 13, 19, 24, 38

### Link and Yoke Kits

Part #	Description	Includes Item #s
DBCXX-150RK4	link and yoke assembly	11,14,16,17, 21, 22
DBCXX-200RK4	link and yoke assembly	11,14,16,17, 21, 22

### Gasket Kits

Part #	Description	Includes Item #s
DBCX1-150RK3	Buna	19
DBCX1-200RK3	Buna	19
DBCX2-150RK3	Viton®	19
DBCX2-200RK3	Viton®	19
DBCX3-150RK3	Teflon-SI®	19
DBCX3-200RK3	Teflon-SI®	19
DBCX4-150RK3	EPDM	19
DBCX4-200RK3	EPDM	19

### Handle Kits

Part #	Description	Includes Item #s
DBCXX-150RK6	lever assembly	8, 15, 28, 29
DBCXX-200RK6	lever assembly	8, 15, 28, 29

### Cam Shaft Kits

Part #	Description	Includes Item #s
DBCXX-150RK7	cam shaft, cotter pin, washer	16, 21, 23
DBCXX-200RK7	cam shaft, cotter pin, washer	16, 21, 23

### Spring Kits

Part #	Description	Includes Item #s
DBCXX-150RK8	spring	25
DBCXX-200RK8	spring	25

### Stuffing Box Kits

Part #	Description	Includes Item #s
DBCXX-150RK5	stuffing box, bearing, O-ring	2, 5, 6
DBCXX-200RK5	stuffing box, bearing, O-ring	2, 5, 6

### Poppet Kits

Part #	Description	Includes Item #s
DBCXX-150RK9	poppet, poppet screw, set screw, Teflon® O-ring	20, 24, 26, 27
DBCXX-200RK9	poppet, poppet screw, set screw, Teflon® O-ring	20, 24, 26, 27

### Swivel Repair Kits

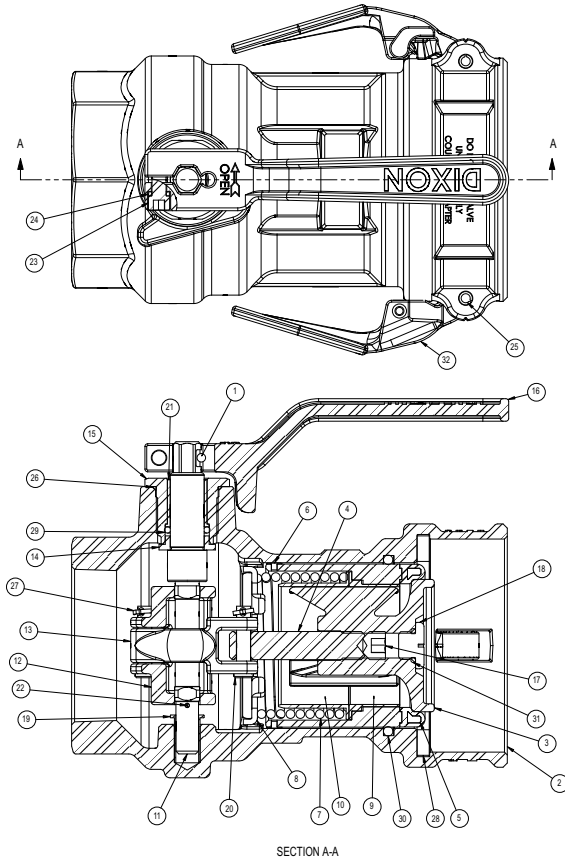
Part #	Description	Includes Item #s
DBS61-200RK4	Buna swivel rebuild kit	33, 34, 35, 36, 37, 38
DBS62-200RK4	Viton® swivel rebuild kit	33, 34, 35, 36, 37, 38
DBS61-200RK10	Buna swivel seal kit	33, 34, 38
DBS62-200RK10	Viton® swivel seal kit	33, 34, 38

# Dry Disconnect Cam and Groove Style Couplers

3" Coupler

## Bill of Materials

Item #	Description	Qty
1	groove pin	1
2	body	1
3	poppet	1
4	stem	1
5	seal cylinder	1
6	Teflon® button	8
7	cylinder spring	1
8	poppet spring seat	1
9	Teflon® bushing	1
10	poppet spring guide	1
11	shaft	1
12	yoke	1
13	link	1
14	shaft retainer	1
15	stuffing box	1
16	lever (handle)	1
17	set screw	1
18	poppet screw	1
19	Teflon® bearing	1
20	clevis pin	2
21	bearing	1
22	cotter pin	1
23	lever (handle) screw	1
24	lever (handle) lock washer	1
25	cam arm pin	2
26	Teflon® O-ring	1
27	cotter pin	2
28	coupler gasket	1
29	O-ring	1
30	O-ring	1
31	Teflon® O-ring	1
32	lockable paddle arm	2
33	nose seal (for DBC63-300)	1



DBC61-300 shown in illustration

## Seal Cylinder Kits

Part #	Description	Includes Item #s
DBC61-300RK2	Aluminum and Buna	5, 6, 9
DBC62-300RK2	Aluminum and Viton®	5, 6, 9
DBC64-300RK2	EPDM	5, 6, 9
DBC69-300RK2	Viton® B	5, 6, 9
DBCX3-200RK2	Teflon®	6, 9

## Seal Kits

Part #	Description	Includes Item #s
DBCX1-300RK1	Buna	26, 28, 29, 30, 31
DBCX2-300RK1	Viton®	26, 28, 29, 30, 31
DBCX3-300RK1	Teflon® and Chemraz®	26, 28, 29, 30, 31

## Spring Kit

Part #	Description	Includes Item #s
DBCXX-300RK8	Spring	7

## Stuffing Box Kit

Part #	Description	Includes Item #s
DBCXX-300RK5	Stuffing box, bearing, O-ring	15, 21, 26

## Link and Yoke Kit

Part #	Description	Includes Item #s
DBCXX-300RK4	Link and Yoke Assembly	4, 12, 13, 20, 22

## Handle Kit

Part #	Description	Includes Item #s
DBCXX-300RK6	Lever Assembly	1, 16, 23, 24

## Cam Shaft Kit

Part #	Description	Includes Item #s
DBCXX-300RK7	Cam shaft, cotter pin, washer	11, 14, 19, 22

## Gasket Kits

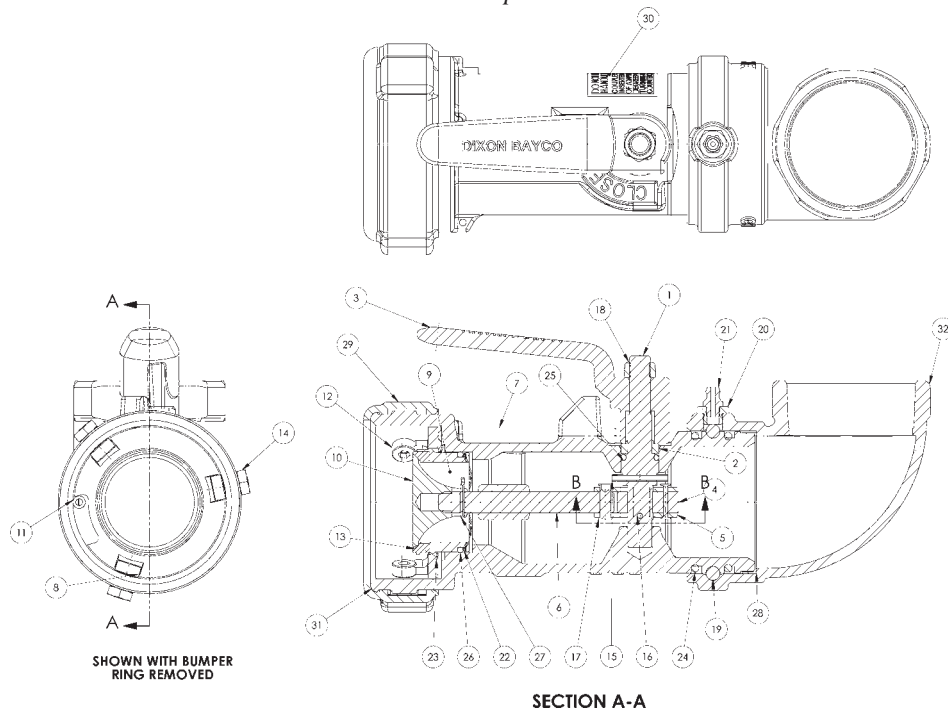
Part #	Description	Includes Item #s
DBCX1-300RK3	Buna	28
DBCX2-300RK3	Viton®	28
DBCX3-300RK3	Teflon-SI®	28
DBCX4-300RK3	EPDM	28
DBCX9-300RK3	Viton® B	28

## Poppet Kit

Part #	Description	Includes Item #s
DBCXX-300RK9	Poppet Kit	3, 17, 18, 31

## Dry Disconnect Bayonet Style Couplers

2" Coupler



BS62-200 shown in illustration

### Complete Seal Repair Kit - Buna

Part #	Description	Includes Item #s
BS61-200RK1	nose seal, spring pin, grooved pin, O-rings, cotter pin, bearing strip, bumper ring	13, 15, 16, 24, 25, 26, 27, 28, 29

### Complete Seal Repair Kit - Viton®

Part #	Description	Includes Item #s
BS62-200RK1	nose seal, spring pin, grooved pin, O-rings, cotter pin, bearing strip, bumper ring	13, 15, 16, 24, 25, 26, 27, 28, 29

### Swivel Seal Repair Kit - Buna

Part #	Description	Includes Item #s
BS61-200RK2	O-ring, bearing strip	24, 28

### Swivel Seal Repair Kit - Viton®

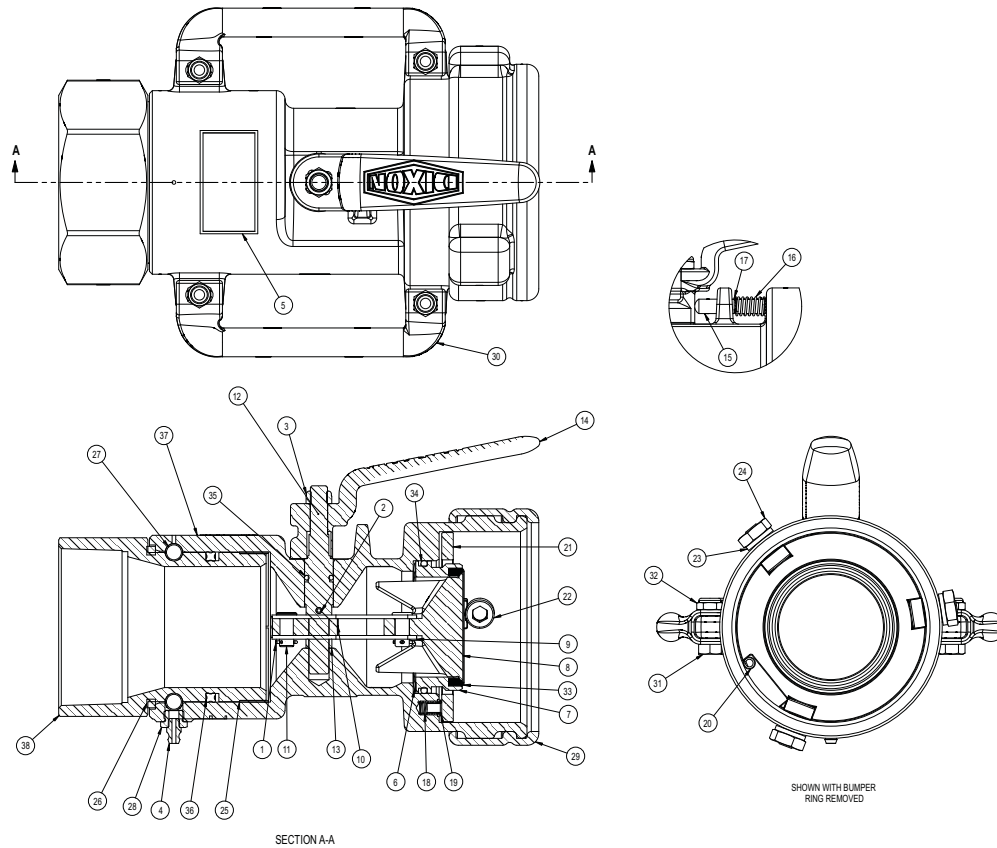
Part #	Description	Includes Item #s
BS62-200RK2	O-ring, bearing strip	24, 28

### Bill of Materials

Item #	Description	Qty
1	shaft	1
2	follower	1
3	lever	1
4	link	1
5	bent link	2
6	stem	1
7	interlock pin	1
8	lock rink	1
9	nose piece	1
10	poppet	1
11	coiled pin	1
12	bayonet stud	3
13	nose seal	1
14	jam nut	3
15	spring pin	1
16	grooved pin	1
17	rivet	2
18	lock nut	1
19	ball bearing	32
20	ball plug	1
21	grease fitting	1
22	wave spring	2
23	wave spring washer	1
24	O-ring	2
25	O-ring	1
26	O-ring	1
27	cotter pin	1
28	bearing strip	1
29	bumper ring	1
30	label	1
31	body	1
32	elbow	1

# Dry Disconnect Bayonet Style Couplers

## 3" Coupler



### Bill of Materials

Item #	Description	Qty
1	cotter pin	2
2	spring pin	1
3	lock nut	1
4	grease fitting	1
5	label	1
6	wave spring	1
7	nose piece	1
8	poppet	1
9	bent link	2
10	drive link	1
11	clevis pin	2
12	stem	1
13	stem spacer	1
14	lever (handle)	1
15	interlock pin	1
16	compression pin	1
17	retaining ring	1
18	compression spring	3
19	eyelet	3
20	spring pin	1
21	lock ring	1
22	bayonet stud	3
23	lock washer	3
24	nut	3
25	bearing strip	1
26	dust seal	1
27	ball bearings	27
28	ball plug	1
29	bumper ring	1

### Bill of Materials *continued...*

Item #	Description	Qty
30	grip handle	2
31	bolt	4
32	lock nut	4
33	nose seal	1
34	nose body O-ring	2
35	stem O-ring	1
36	quad O-ring	1

### Complete Seal Repair Kit - Buna

Part #	Description	Includes Item #s
<b>BS61-300RK1</b>	nose seal, spring pin, grooved pin, O-rings, cotter pin, bearing strip, bumper ring	1, 2, 26, 33, 34, 35, 36

### Complete Seal Repair Kit - Viton®

Part #	Description	Includes Item #s
<b>BS62-300RK1</b>	nose seal, spring pin, grooved pin, O-rings, cotter pin, bearing strip, bumper ring	1, 2, 26, 33, 34, 35, 36

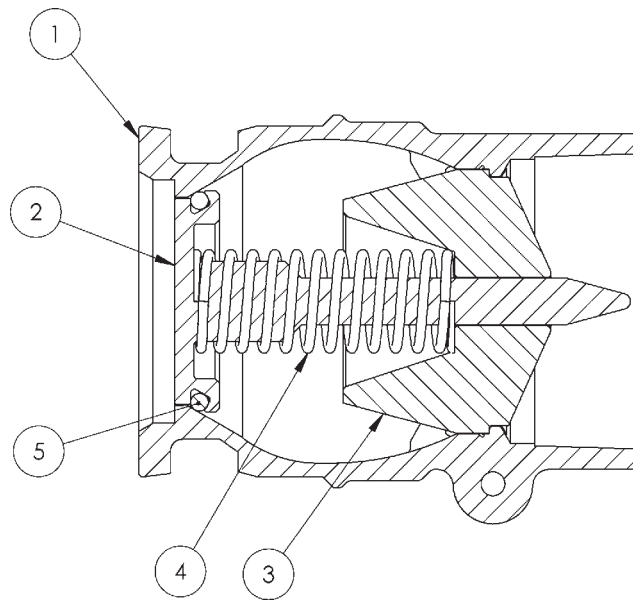
### Swivel Seal Repair Kit - Viton®

Part #	Description	Includes Item #s
<b>BS62-300RK2</b>	O-ring, bearing strip	25, 26, 36

### Swivel Seal Repair Kit - Buna

Part #	Description	Includes Item #s
<b>BS61-300RK2</b>	O-ring, bearing strip	25, 26, 36

## Dry Disconnect Bayonet Style Adapters



### Bill of Materials

Item #	Description	Qty
1	body	1
2	poppet	1
3	deflector	1
4	spring	1
5	O-ring	1

### Poppet Seal Kits

Part #	Description	Includes Item #s
<b>BA31-200RK1</b>	poppet O-ring	5
<b>BA32-200RK1</b>	poppet O-ring	5
<b>BA31-300RK1</b>	poppet O-ring	5
<b>BA32-300RK1</b>	poppet O-ring	5

## Hose Assembly Safety Program

Dixon, in partnership with your industrial hose supplier, is pleased to offer a hose and coupling safety survey of your plant, at no cost to you, to assist in your efforts to make your facility as safe, efficient and productive as possible.

Today, plant safety is an enormous, ongoing endeavor in which it is impossible to be an expert in every field.

The use of damaged or misapplied hose couplings and related items occurs. To the untrained eye, these hazards may continue to exist until an accident happens, threatening not only plant machinery, but also the well-being of plant personnel.

Our program includes a visual inspection of hose assemblies and related accessories in your plant by trained technicians. A professionally written report containing our observations and recommendations for corrective action is subsequently provided to augment your own ongoing safety program. If desired, photographs of the areas of concern can be supplied with the report. As a follow-up, the program offers an educational hands-on seminar directly relating to the safety concerns in your facility.

Plant safety is coming under increasing scrutiny by various regulatory agencies. Let Dixon's trained personnel assist you in establishing and maintaining safety compliance in your plant.

The safety survey report is completely confidential and will only be shown to authorized plant personnel. Again, there is no cost to you for this service. For more information, please contact the factory at 1-800-355-1991.

Dixon is recognized as the premier manufacturer and supplier of hose fittings and accessories spanning a wide range of industrial uses. Dixon's reach includes products for fire protection, food, dairy processing, beverage and brewery, mobile tankers, mining, construction, chemical processing, petroleum, oilfields, refining, agriculture and manufacturing.



*The Right Connection™*

**Dixon Valve & Coupling Company**

800 High Street, Chestertown, MD 21620

Customer Service: 410-778-2002 • 800-355-1991

Fax: 410-778-4702 • 800-283-4966

[www.dixonvalve.com](http://www.dixonvalve.com)